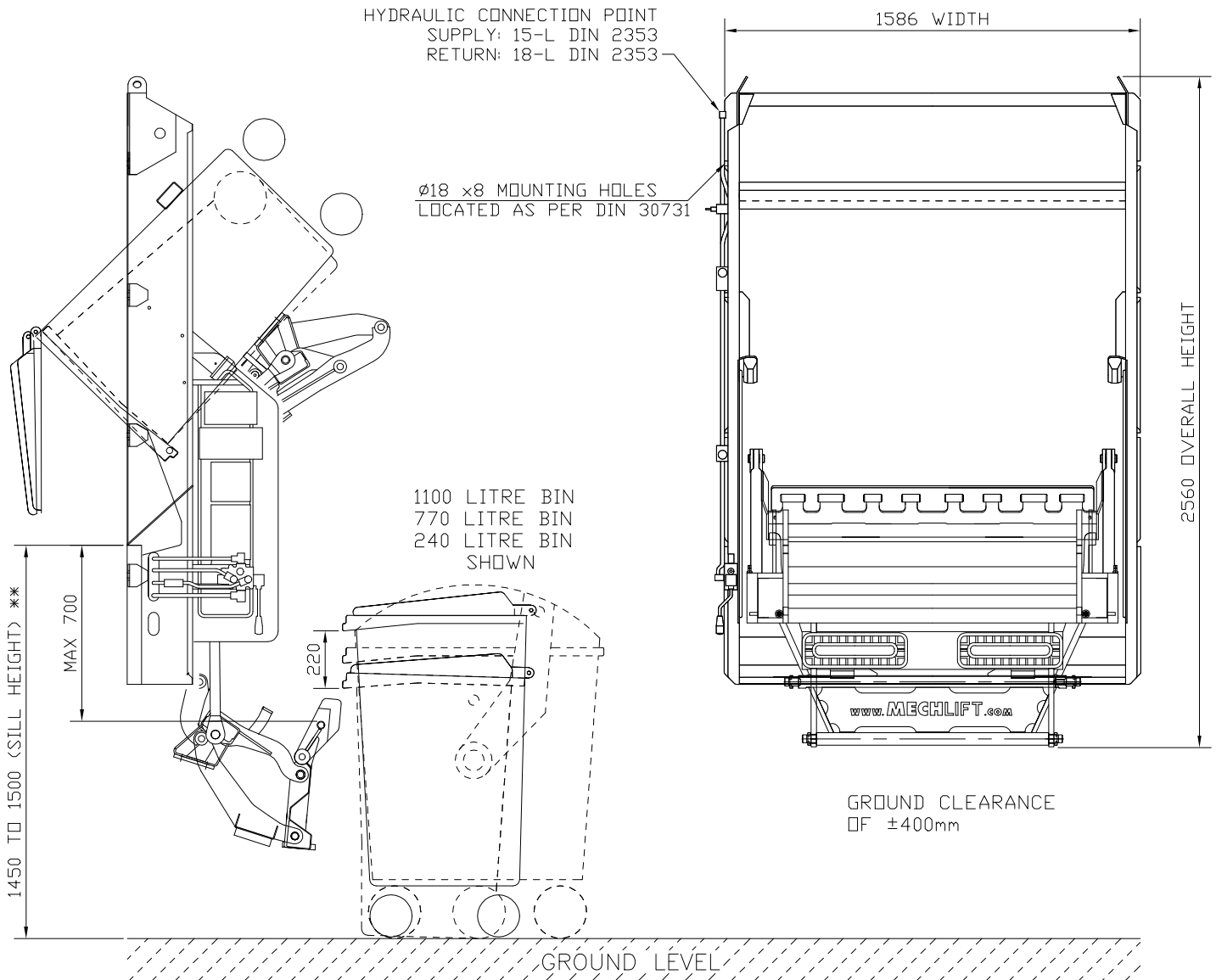


DIMENSIONS:

MECHLIFT 325



**	BIN TYPE	SILL HEIGHT
	240 TO 1100L	1450 - 1500
	500 TO 1100L	1450 - 1700

MASS: 525 kgs
ALL DIMENSIONS IN MM

SPECIFICATIONS:

DIN/MGB BIN SIZES: 240 to 770 litre (standard model)
240 to 1100 litre (klaparm kit model)

CYCLE TIME: 12 sec. min.

LIFTING CAPACITY: 700 kg (at 160 bar setting)

HYDRAULIC PRESSURE: 160 bar SUPPLY PUMP CAPACITY

HYDRAULIC FLOW: 32 litre/min

OPTIONS:

Lifter can be fitted with Klaparms and retractable lid opener for use with 1100 litre dome lidded bins and "Spriko" type bins.

FEATURES:

One of the few lifters which is capable of lifting virtually all the different types of DIN/MGB bins.

No flexible hoses (all pipes are zinc-plated steel), no exposed cylinder rods to get damaged and ingest dirt.

Due to the ample ground clearance, the chance of the lifter getting damaged or fouled is greatly reduced.

Lifter can easily be maintained by ordinary workshop personnel. No special training or tools are required.