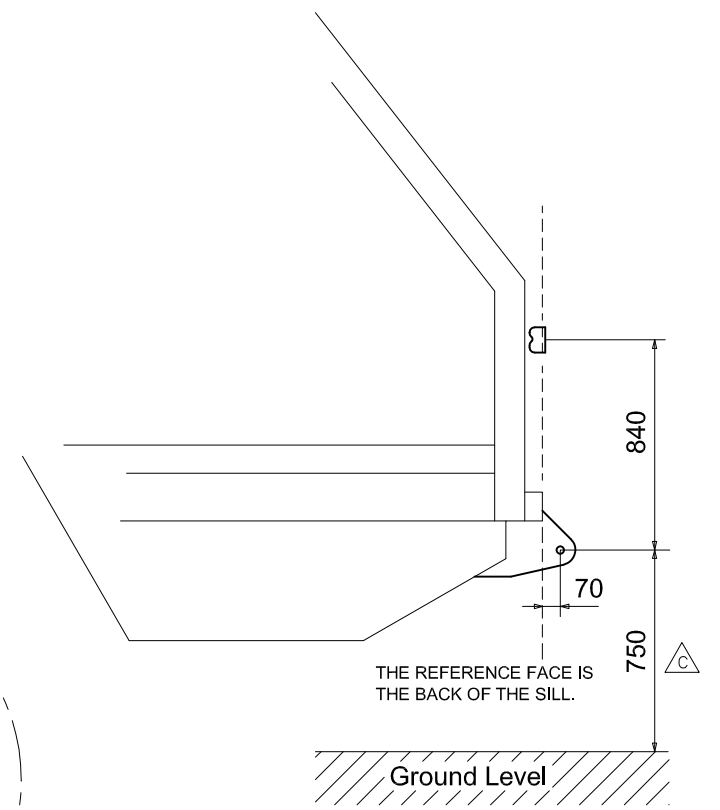
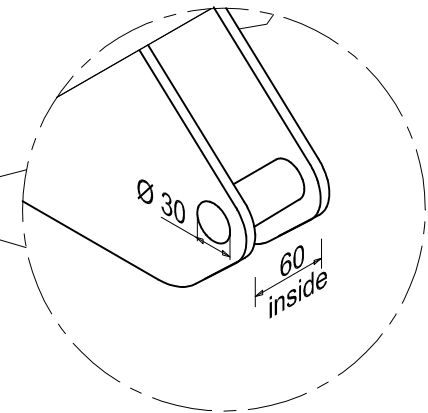
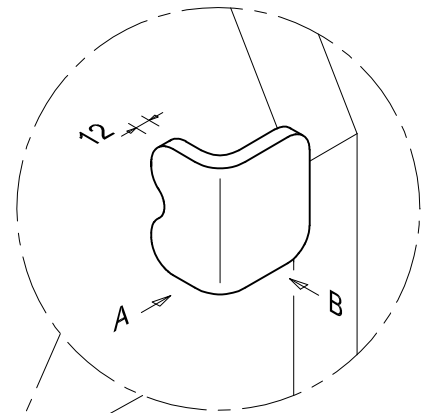
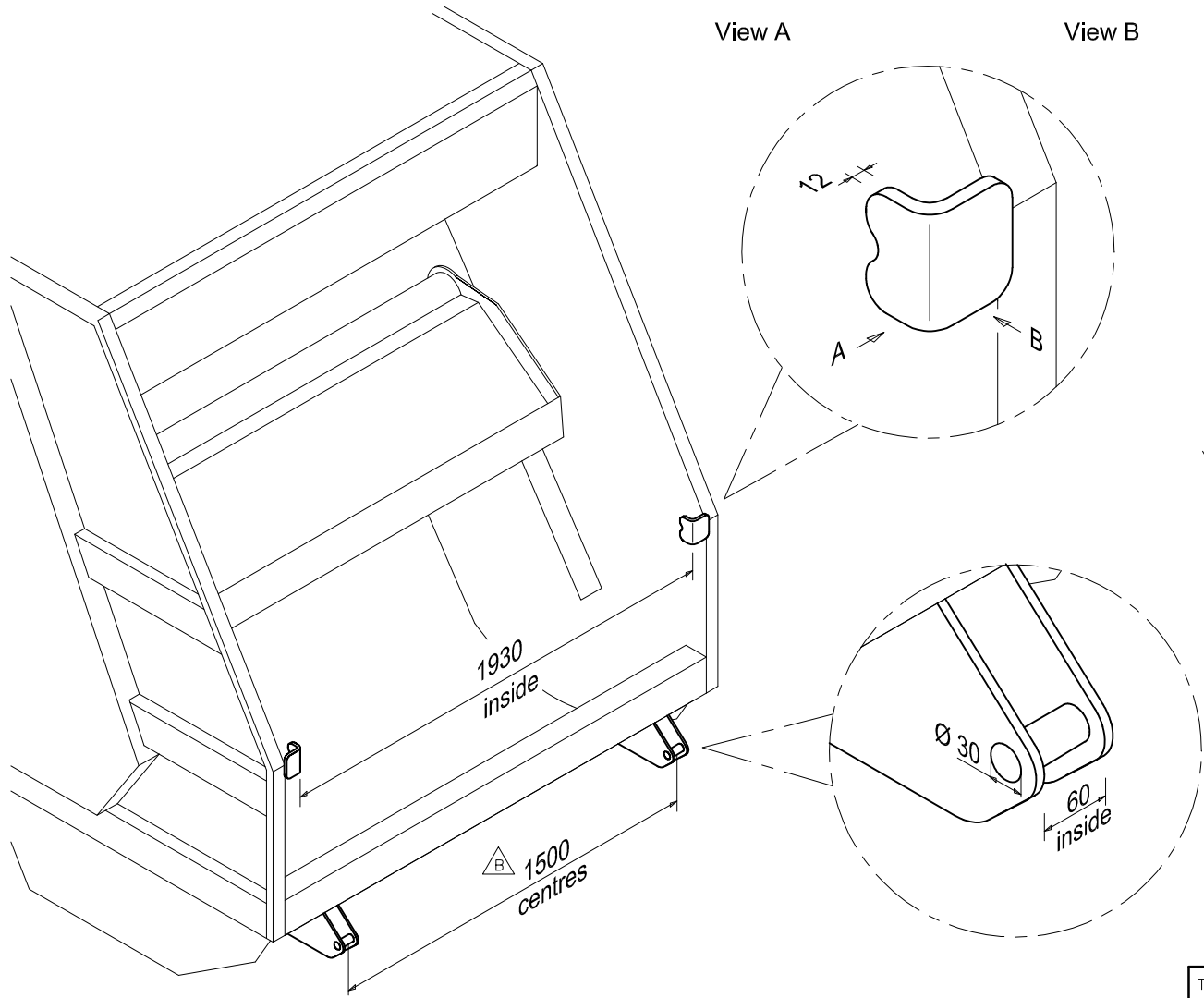
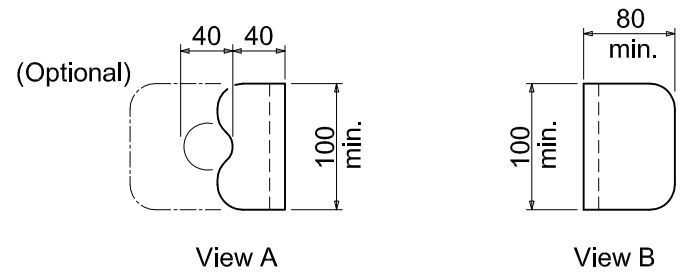


NEXT HIGHER LEVEL	QTY.
-	1
-	-



REMARKS:
PLEASE CONTACT MECHLIFT SHOULD YOU
HAVE ANY INSTALLATION QUERIES.

TITLE:
VEHICLE BRACKETS – ML220R & ML325R

PROJECTION SYMBOL	
LOWER LEVEL	-

REV.	DATE	DESCRIPTION OF CHANGE	AUTHOR
B	2006-06-29	Bottom pin centers distance reduced from 1640mm to 1500mm	GD
C	2008-11-14	Reduced pin height from 800mm to 750mm	GD

MECHLIFT (Pty)Ltd
84 MOBILE ROAD TEL (021) 386 0404
AIRPORT INDUSTRIAL FAX (021) 385 1886
CAPE TOWN SOUTH AFRICA

DRAWING NUMBER	REV.
	C