

MECHlift ML325R & ML325RK Bin Lifter DEMOUNTABLE MODEL



Spare Parts Catalogue

- Prices effective 1st January 2011 -



CONTENTS:

IDENTIFYING the lifter, finding its Model and Serial Number

... ML 325R Bin Lifter Assembly – 240litre to 700litre bins	4
...ML 325RK Bin Lifter Assembly – 240litre to 1100litre bins	5
Lifter Sub Assembly QUICK REFERENCE GUIDE	6
... NOTES page	7
Fulcrum Arm and Hub Assemblies LH & RH	8
Coupling	10
H Frame	11
Comb Frame	12
Long Link Rod	13
Lower Link Frame	14
Swing Frame	15
Main Frame	
Main Frame Assembly	16
Sill Seal Assembly	17
Slip pulley	18
Coupling Retainer	19
Anti Lowering Hook	20
Stopper Bar	21
Lid Opener	22
Lid Opener Control Mechanism	23
Bin Opener Pull Back Kit	24
Klaparms	25
Hydraulics	
Hydraulic System	26
Actuator Service Parts	28



Where to contact Mechlif? See page 29

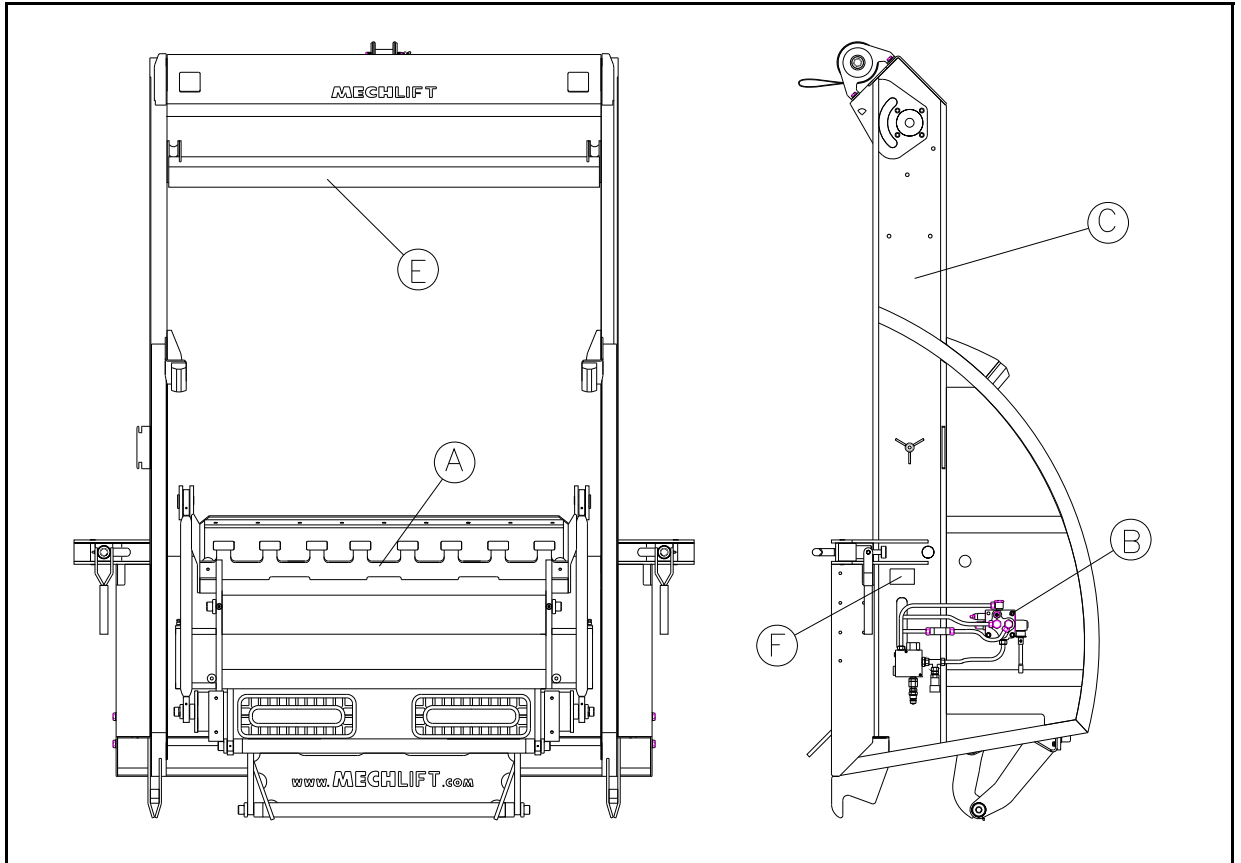
Note to Partsman:

- Always quote the Mechlif part numbers when ordering parts
- Part numbers ending in 1 usually refer to Left Hand Side parts
- Part numbers ending in 2 usually refer to Right Hand Side parts
- If in doubt, please feel free to contact Mechlif, we are always willing to assist

ML 325R BIN LIFTER ASSEMBLY

Part Number: 35 00 006 A

THE ML325R HAS A FIXED BIN STOPPER BAR FOR MAXIMUM 700litre TYPE BINS ONLY AND HAS NO FOLDING TRUNNION LIFTING ARMS (KLAPARMS)

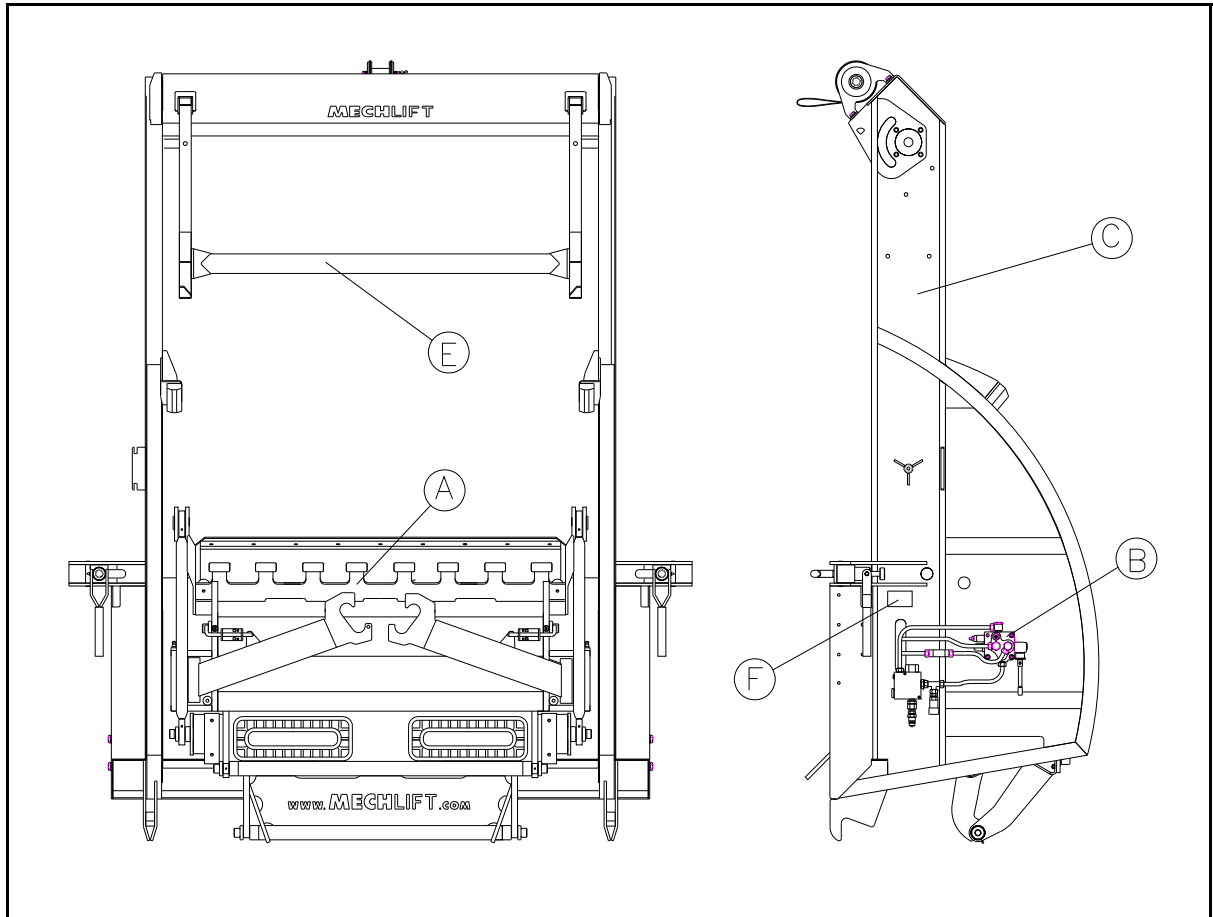


SECTION	PART
A	LIFTER ASSEMBLY See page 6 for greater detail
B	HYDRAULIC SYSTEM
C	MAIN FRAME ASSEMBLY
E	STOPPER BAR for bins of 240lit, 360 lit, 660lit and 700 litre maximum
F	SERIAL AND MODEL NUMBERS are here. (lower left side of lifter)

ML 325RK BIN LIFTER ASSEMBLY

Part Number: 35 00 005 A

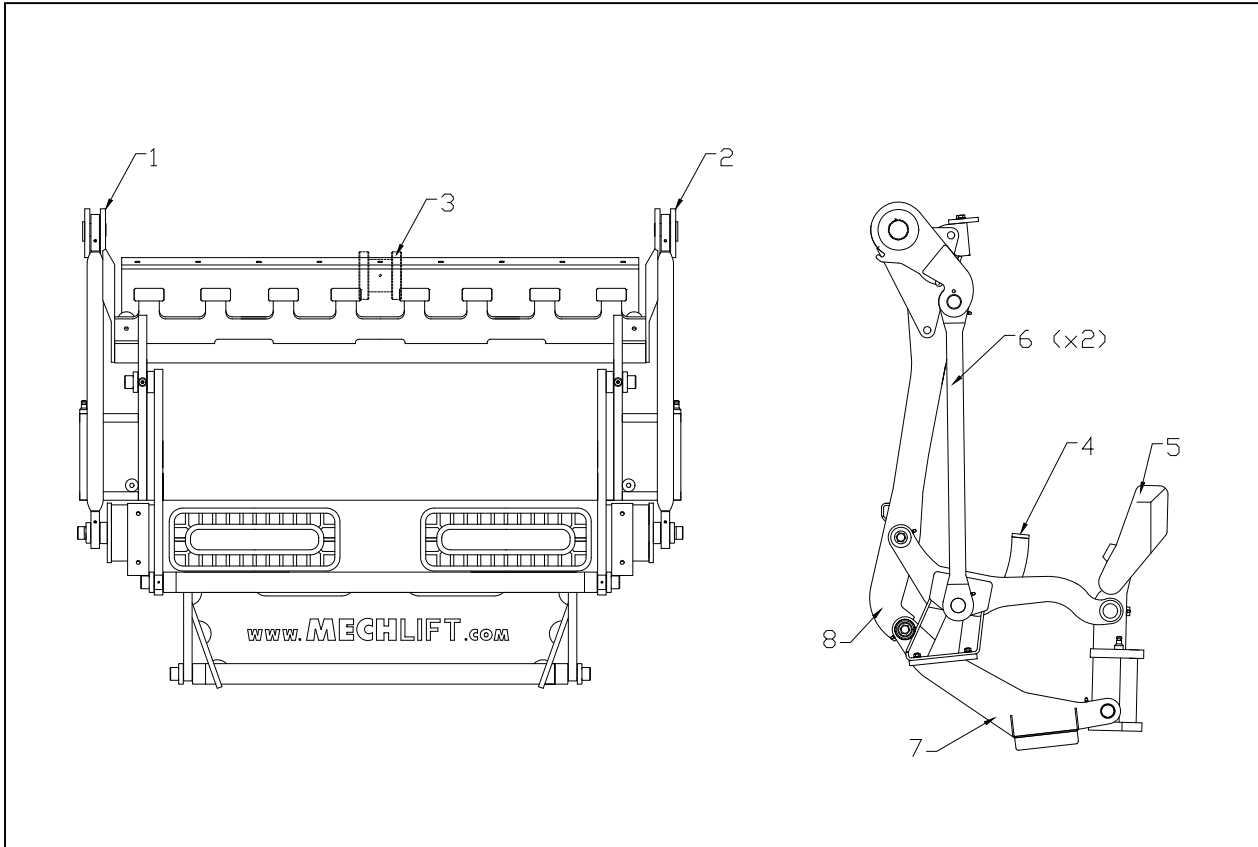
THE ML325K HAS A SPRUNG LID OPENER AND FOLDING LIFTING ARMS FOR 1100litre BINS ON SPIGOTS



SECTION	PART
A	LIFTER ASSEMBLY See page 6 for greater detail
B	HYDRAULIC SYSTEM
C	MAIN FRAME ASSEMBLY
E	BIN CATCHER / LID OPENER for bins up to 1100litre on spigots. For 1100litre bins on comb lifts, BIN OPENER PULL BACK KIT must be fitted. See elsewhere in this book
F	SERIAL AND MODEL NUMBERS are here. (lower left side of lifter) OPTIONAL EXTRAS

LIFTER SUB ASSEMBLIES

QUICK REFERENCE



This page tells you what the above parts are called and on what page to find them.

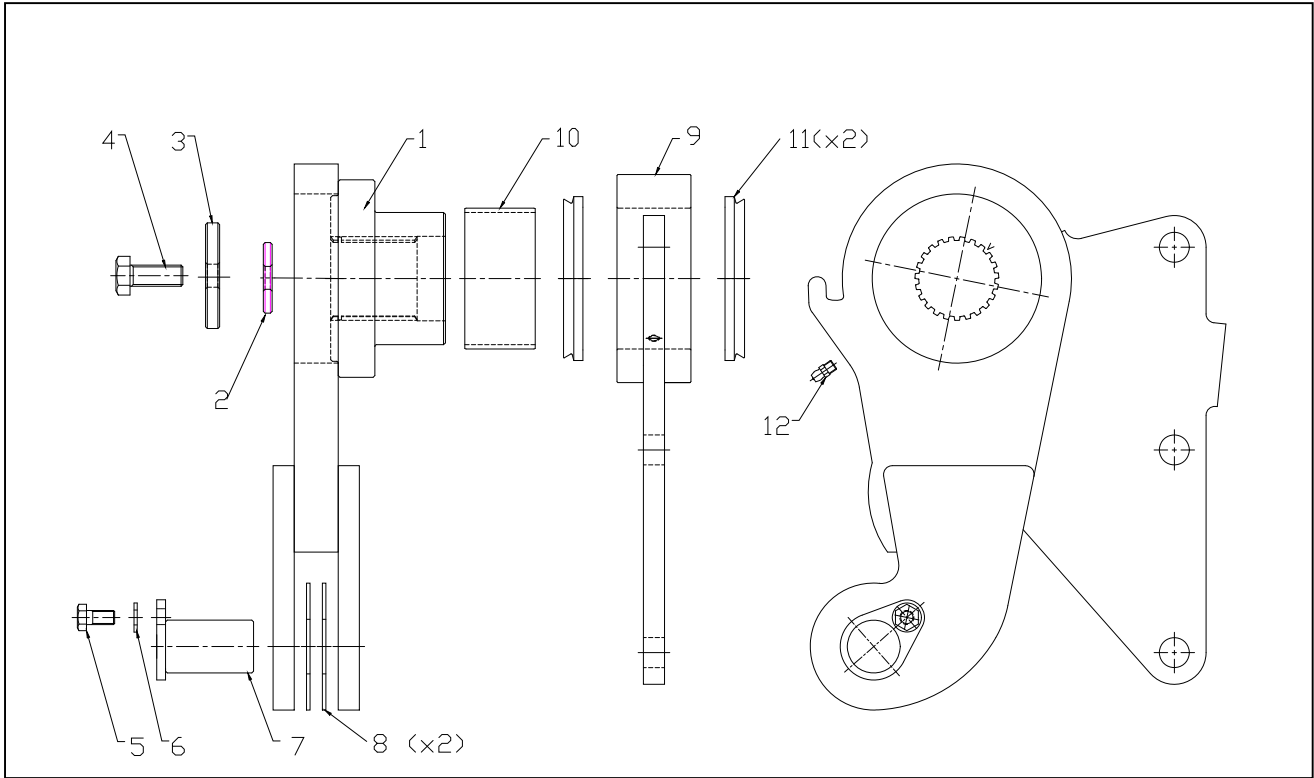
No.	Part No.	Part	
1	35 21 001 A	FULCRUM ARM AND HUB ASSEMBLY - LEFT HAND	Page 8
2	35 21 002 A	FULCRUM ARM AND HUB ASSEMBLY - RIGHT HAND	Page 9
3	35 23 100 A	COUPLING ASSEMBLY (between the two actuator shafts)	Page 10
4	35 40 000 A	H-FRAME ASSEMBLY	Page 11
5	35 50 010 A	COMB FRAME ASSEMBLY (STANDARD)	Page 12
6	35 61 100 A	LONG LINK ROD ASSEMBLY	Page 13
7	35 62 100 A	LOWER LINK FRAME ASSEMBLY	Page 14
8	35 70 000 A	SWING FRAME ASSEMBLY	Page 15

Make your notes below



FULCRUM ARM AND HUB ASSEMBLY - *LEFT HAND*

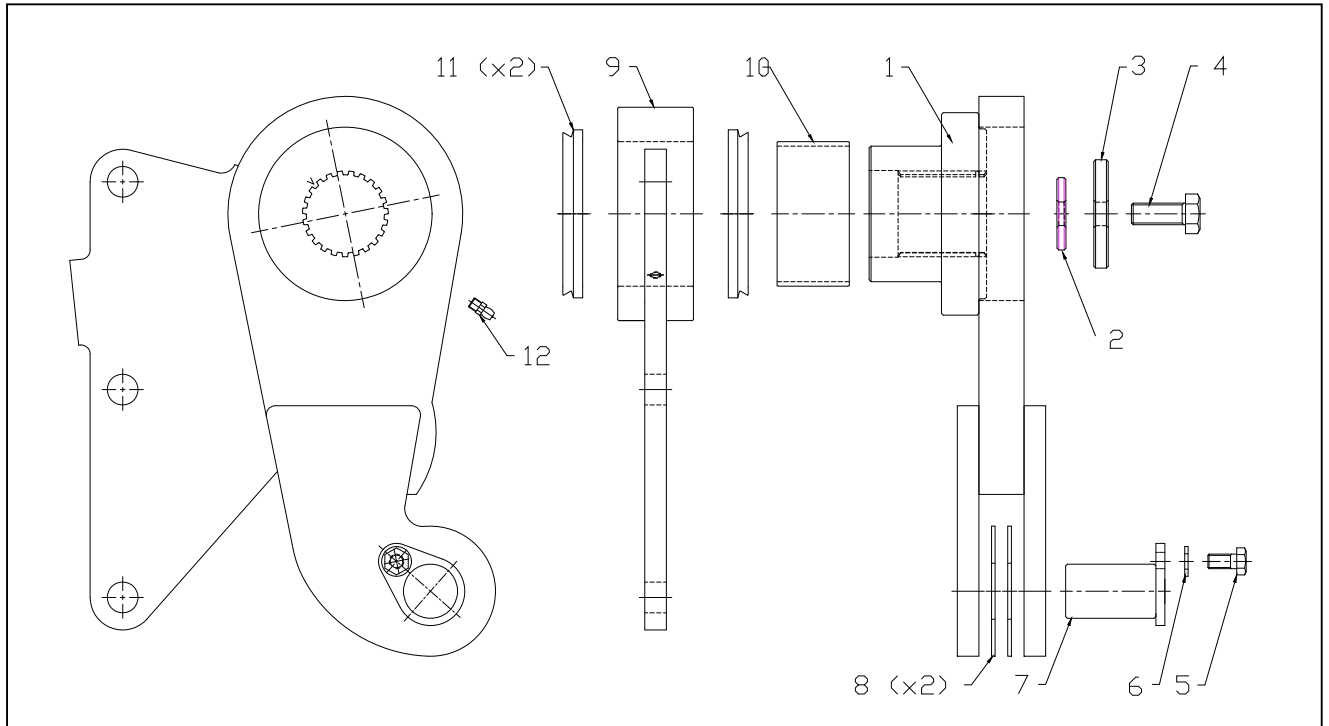
Part Number: 35 21 001 A



No.	Part No.	Part	Qty	Unit Price
	35 20 001 A	FULCRUM ARM & HUB ASSEMBLY LH (complete) Consists of all parts as shown	1	R4 847.00
1	35 21 001 A	FULCRUM ARM ASSY LH (incl item no's 1 to 8)	1	R3 306.85
9	35 22 100 A	SWING HUB PLATE ASSY (incl item no's 9 to 12)	1	R1 585.60
kit	07 93 210 K	KIT – Fulcrum arm service (incl item no's 2 to 8)	1	R 729.75
kit	07 93 220.K	KIT – Swing hub service (incl item no's 10 to 12)	1	R 572.50

FULCRUM ARM AND HUB ASSEMBLY - *RIGHT HAND*

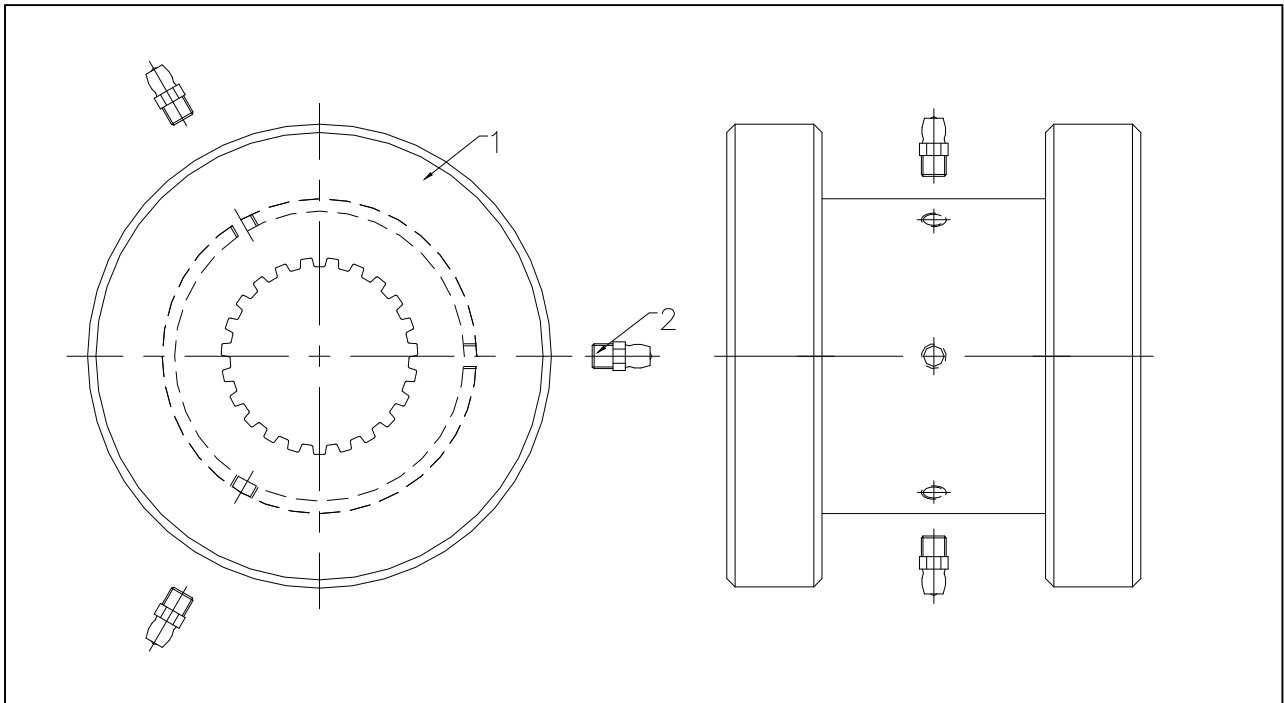
Part Number: 35 21 002 A



No.	Part No.	Part	Qty	Unit Price
	35 20 002A	FULCRUM ARM & HUB ASSEMBLY RH (complete) Consists of all parts as shown	1	R4 815.80
1	35 21 002 A	FULCRUM ARM ASSY RH (incl item no's 1 to 8)	1	R3 276.25
9	35 22 100 A	SWING HUB PLATE ASSY (incl item no's 9 to 12)	1	R1 585.60
kit	07 93 210 K	KIT – Fulcrum arm service (incl item no's 2 to 8)	1	R 729.75
kit	07 93 220.K	KIT – Swing hub service (incl item no's 10 to 12)	1	R 572.50

COUPLING ASSEMBLY

Part Number: 35 23 100 A

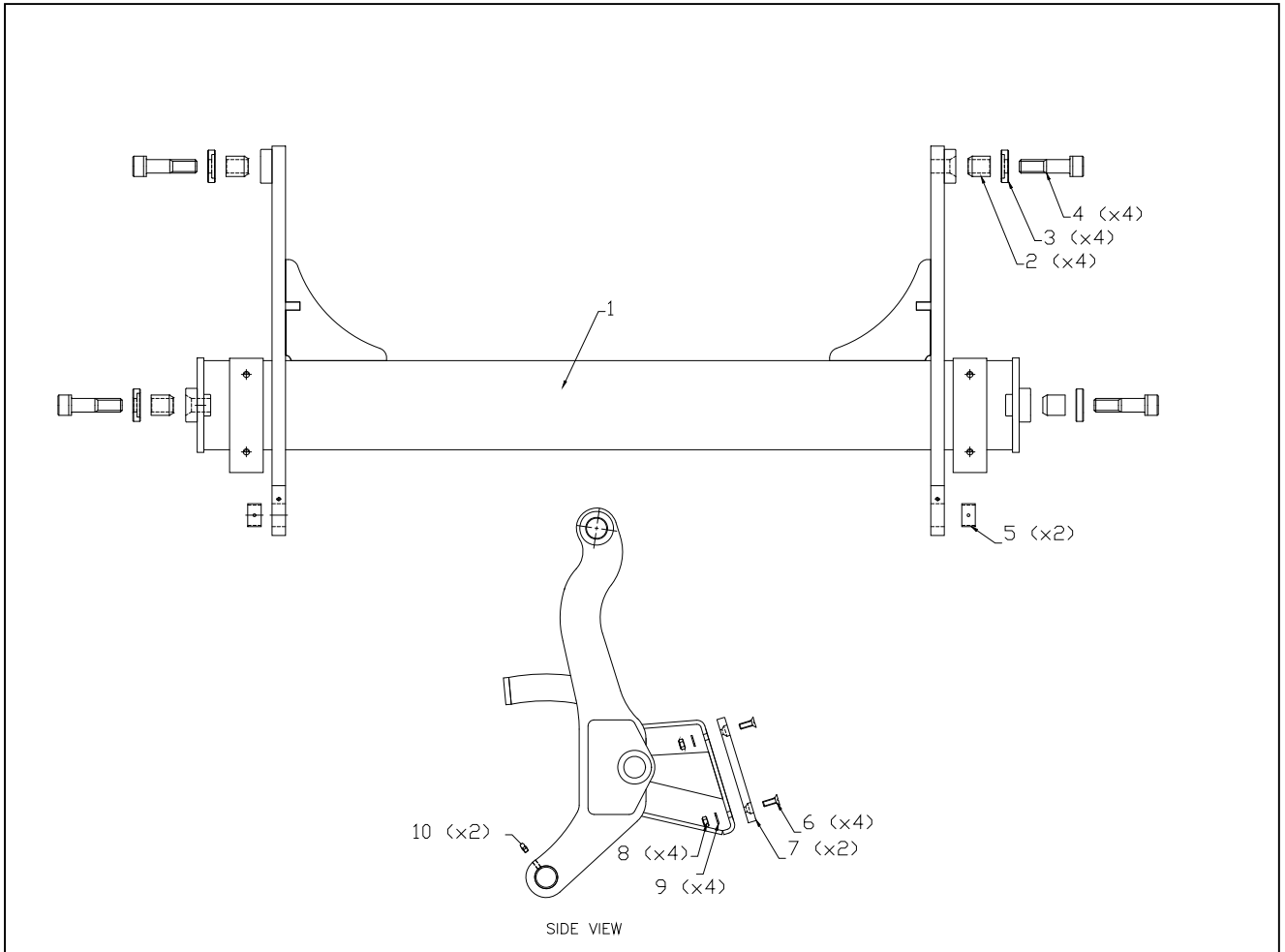


No.	Part No.	Part	Qty	Unit Price
	35 23100 A	COUPLING ASSEMBLY LH (complete)	1	R2 014.70
1	*NSS	Coupling weldment	1	-
2	MGN 06	Grease nipple	3	R10.00

* Not Sold Separately

H-FRAME ASSEMBLY

Part Number: 35 40 000 A

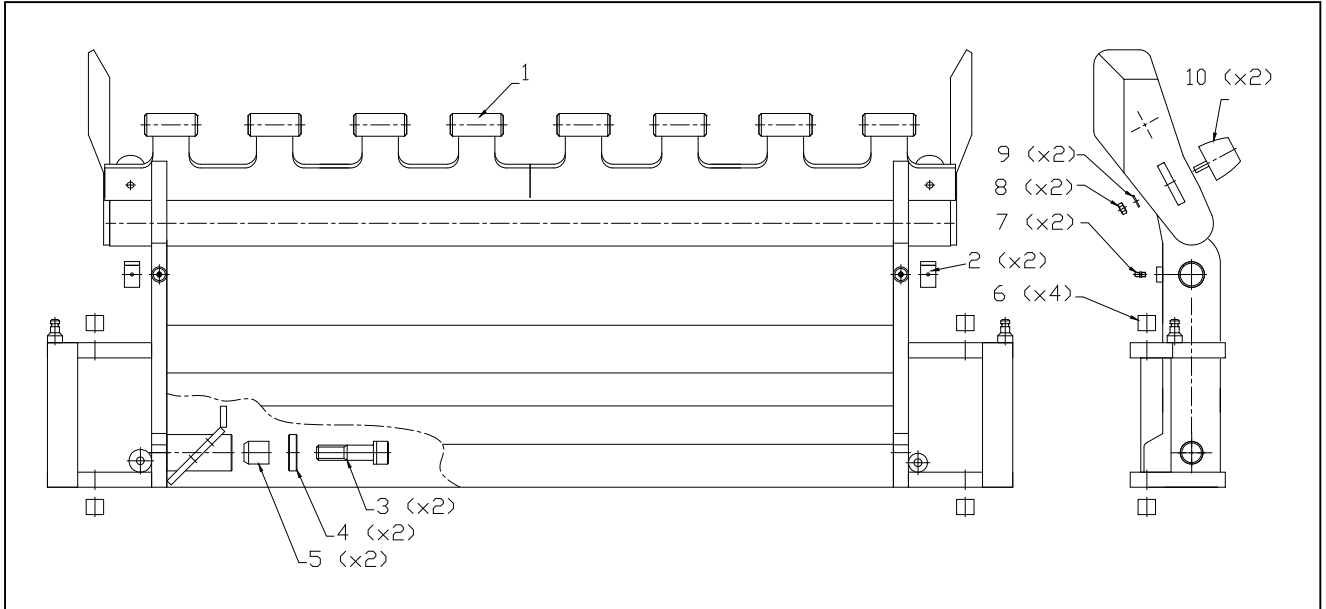


No.	Part No.	Part	Qty	Unit Price
	35 40 000 A	H-FRAME ASSEMBLY (complete with all parts shown)		R 9 030.00
1	* NSS	H-FRAME WELDMENT	1	-
kit	07 90 115 K	JOINT SERVICE KIT (incl item no's 2 to 5 and 10)	4	R390.90
kit	07 93 410 K	KIT – Plastic pad (incl. Item no's 6 - 9)	2	R 263.90
5	BPAP 3020 P20	PERMAGLIDE BUSH	2	R 74.80

* Not Sold Separately

COMB FRAME ASSEMBLY

Part Number: 35 50 010 A

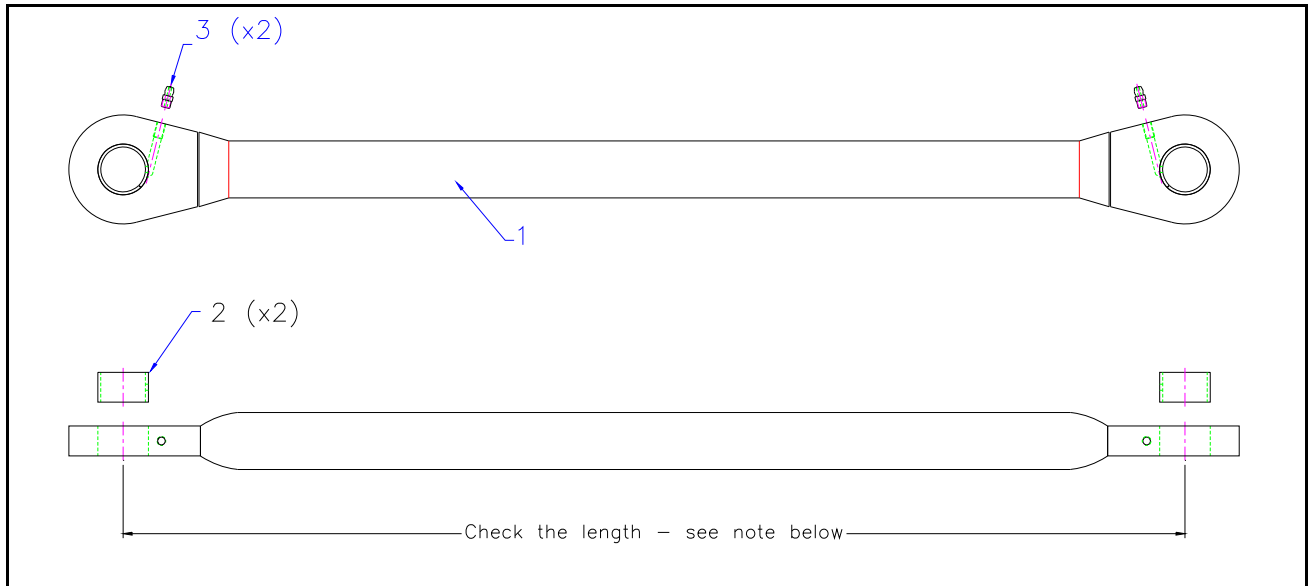


No.	Part No.	Part	Qty	Unit Price
	35 50 010 A	COMB FRAME ASSEMBLY (complete – no klaparms)	1	R11 848.85
1	* NSS	COMB FRAME WELDMENT	1	-
10	05 10 240 K	KIT – Conical bump rubber (Incl. item no's 8 to 10)	2	R145.00
kit	07 90 115 K	JOINT SERVICE KIT (Incl item no's 2 to 5)	2	R390.90
		Refer to Klaparm section for its 20mm bushes		
6	BPAP 3020 P20	PERMAGLIDE BUSH	2	R 74.80

* Not Sold Separately

LONG LINK ROD ASSEMBLY

Part Number: 35 61 100 A



No.	Part No.	Part	Qty	Unit Price
	35 61 100 A	LONG LINK ROD ASSEMBLY (complete)	2	R1 373.65
1	* NSS	LONG LINK ROD WELDMENT	1	-
2	BPAP 3020 P20	PERMAGLIDE BUSH	2	R 74.80
3	MGN 08	GREASE NIPPLE M8	2	R 12.00

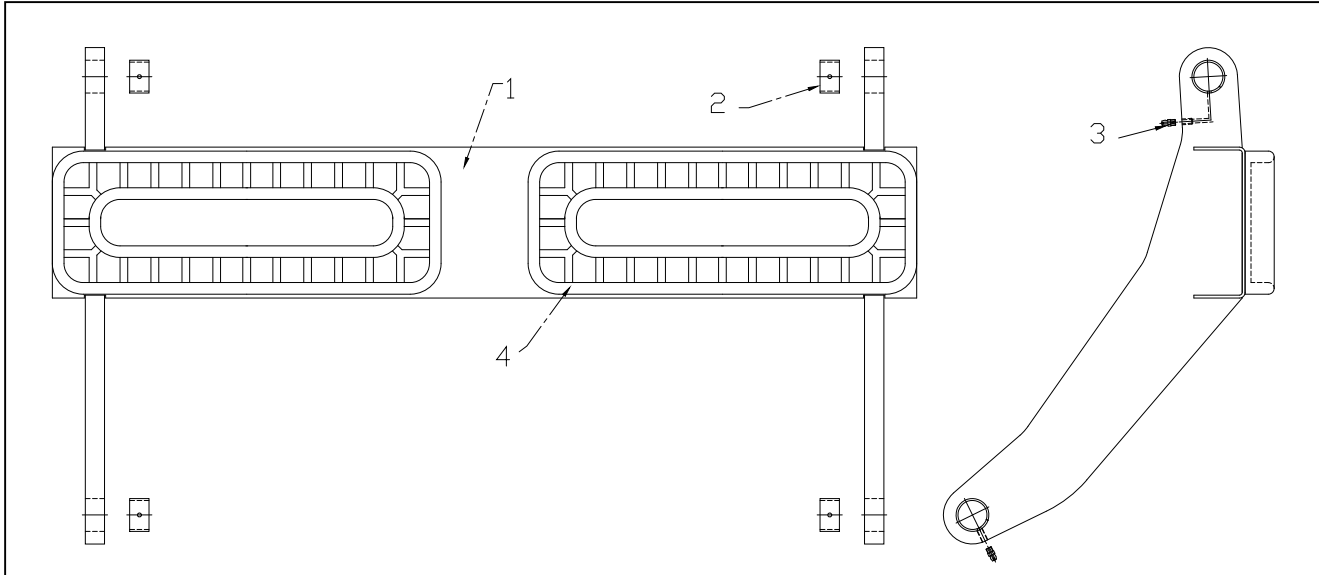
* Not Sold Separately

NOTE:

The length of this link rod was revised late in 2006. Please call us at 021 386 0404 to determine the correct replacement parts.

LOWER LINK FRAME ASSEMBLY

Part Number 35 62 100 A

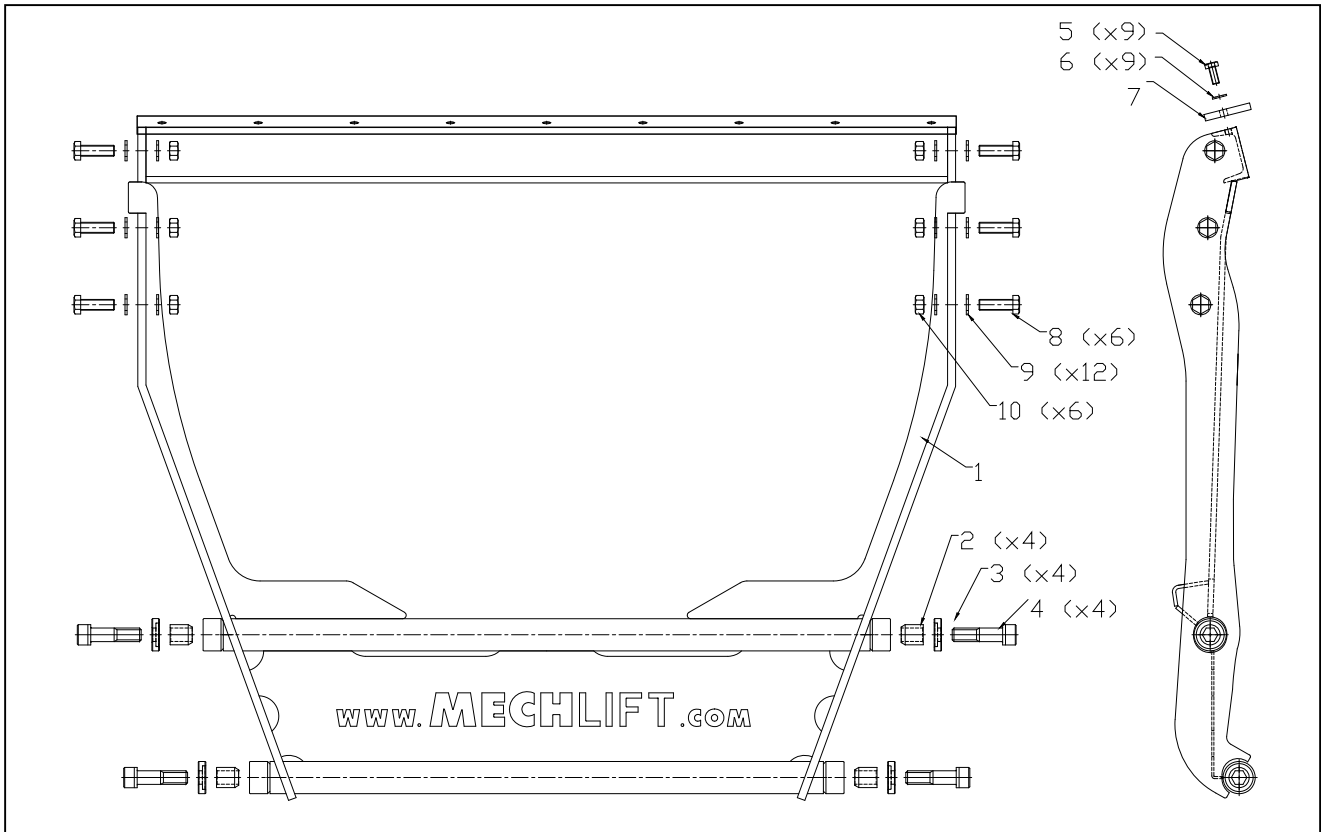


No.	Part No.	Part	Qty	Unit Price
	35 62 100 A	LOWER LINK FRAME ASSEMBLY (complete)	1	R6 283.70
1	* NSS	LOWER LINK FRAME WELDMENT	1	-
2	BPAP 3020 P20	PERMAGLIDE BUSH	4	R 74.80
3	MGN 08	GREASE NIPPLE M8	4	R 12.00
4	05.20.105R	RUBBER (Glued on)	2	R 367.50

* Not Sold Separately

SWING FRAME

Part Number: 35 70 000 A

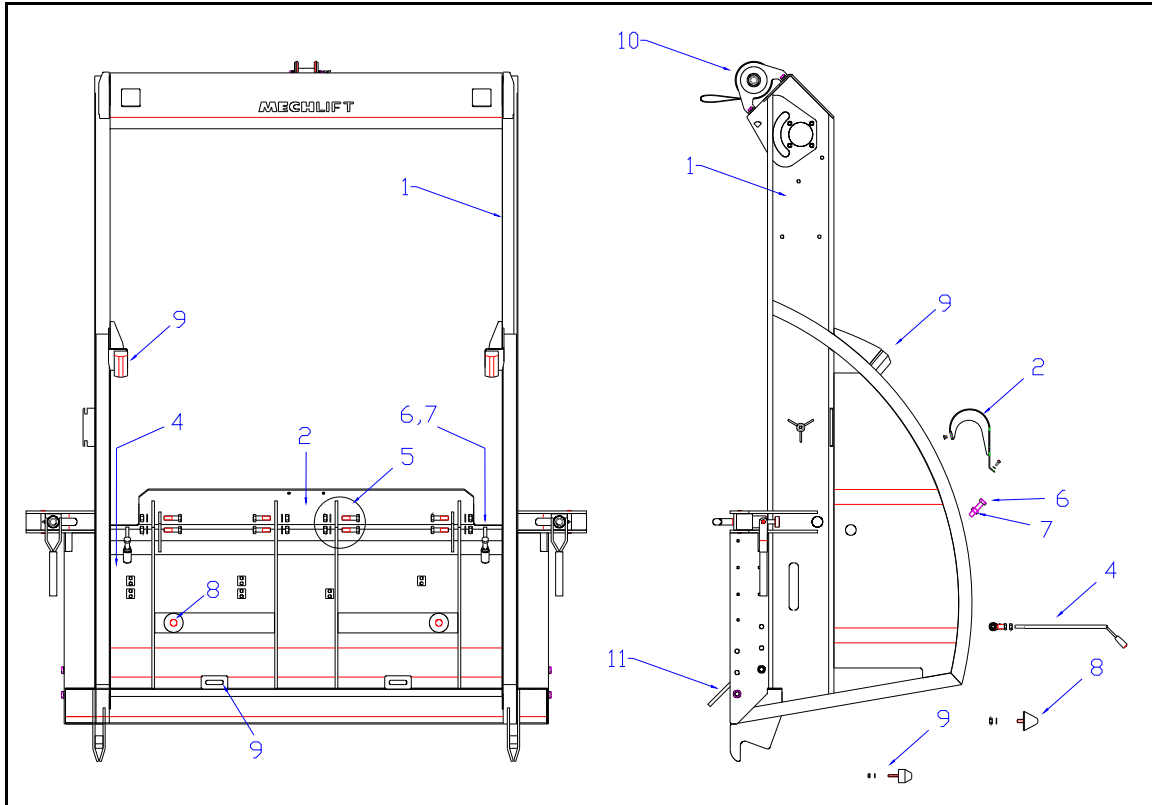


No.	Part No.	Part	Qty	Unit Price
	35 70 000 A	SWING FRAME ASSEMBLY (complete)	1	R7 347.00
1	* NSS	SWING FRAME WELDMENT	1	-
kit	07 90 115 K	JOINT SERVICE KIT (incl item no's 2 to 4 & 30mm bush)	4	R 390.90
kit	07 90 116 K	KIT – Bolt and Nut (50mm x 6off)	1	R 122.55

* Not Sold Separately

MAIN FRAME ASSEMBLY

Part Number: 35 90 005 A

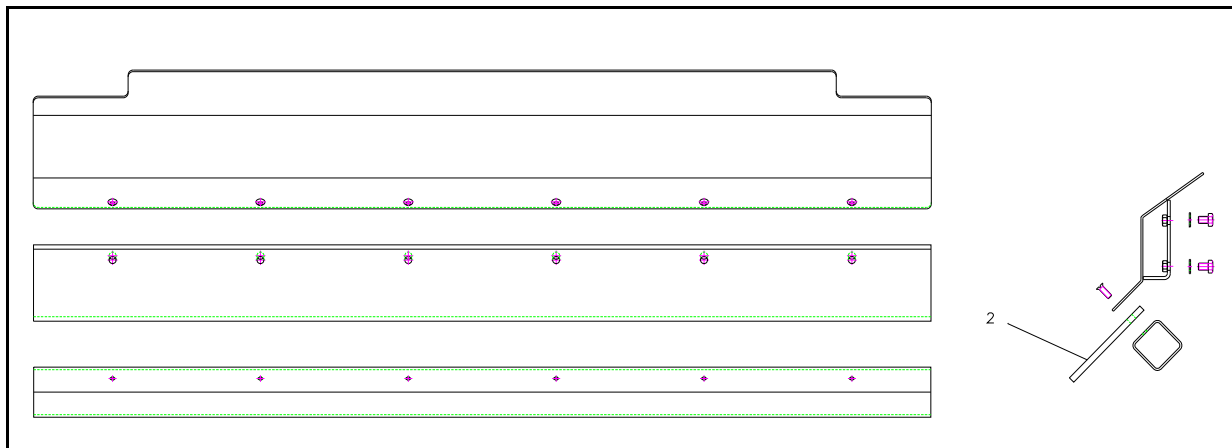


MAIN FRAME Continued

No.	Part No.	Part	Qty	Unit Price
1	35 90 005 A	FRAME ASSEMBLY (incl all items listed below) Also includes Sill Seal Assembly below	1	R36 963.00
2	35 23 200 A	COUPLING RETAINER ASSEMBLY	1	Page 19
4	35 90 120 A	ANTI LOWERING HOOK ASSEMBLY	1	Page 20
5	07 90 117 K	KIT – actuator fasteners	1	R170.35
6	FB 1665 H8ZP	STOP BOLT M16 x 65mm	2	*NSS
7	FN 16 ZP	NUT	2	*NSS
8	05 10 124 R	RUBBER BUFFER CONICAL 55mm (M12x24)	2	R196.70
9	05 10 319 R	RUBBER BUFFER RECTANGULAR 100x50 (M8)	4	R280.60
10	22 05 000 A	SLIP PULLEY ASSEMBLY	1	Page 19
11	22 91 080 A	SILL SEAL ASSEMBLY	1	Below

SILL SEAL ASSEMBLY

Part Number: 22 91 080 A

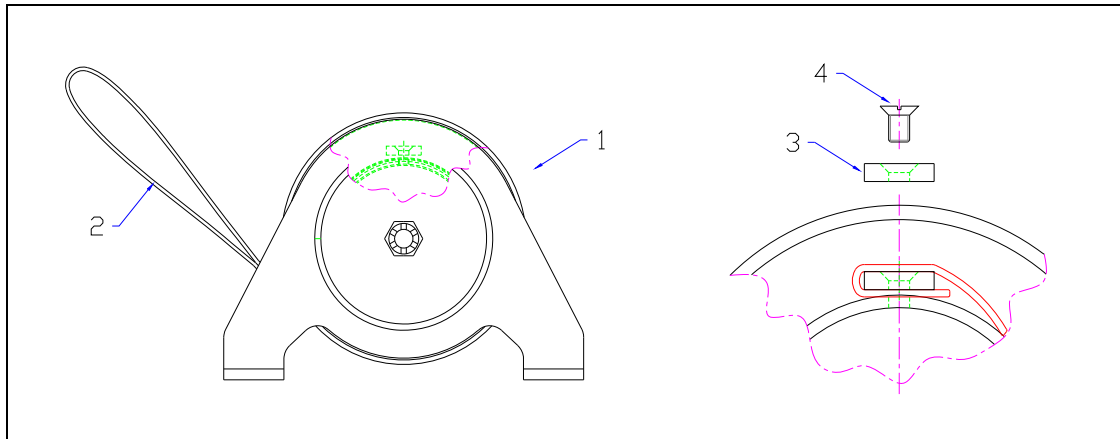


Item	Part No.	Part	Qty	Unit Price
1	22 91 080 A	SILL SEAL ASSEMBLY (complete)	1	R3 150.00
2	22 91 089 D	RUBBER - PUNCHED (only)	1	R 635.00

SLIP PULLEY ASSEMBLY

22 05 000 A

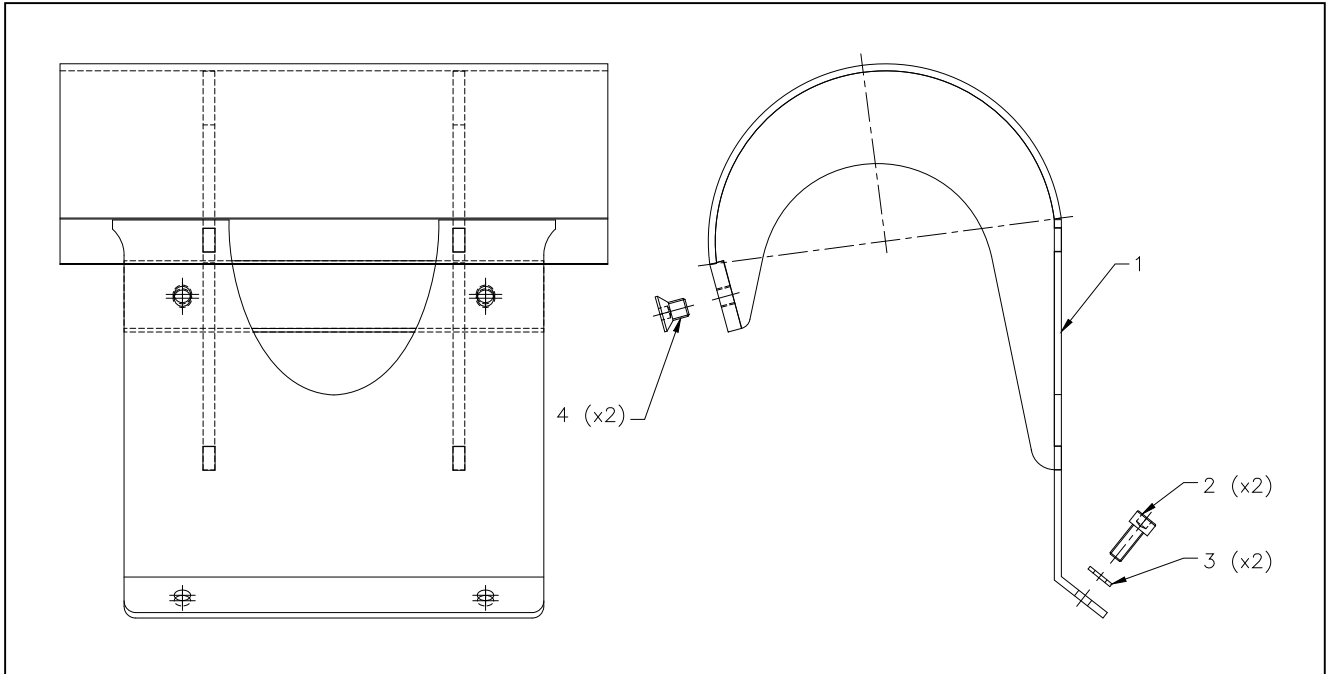
The slip pulley is a **non service** item. Its slip torque has been preset at the factory.



No.	Part No.	Part	Qty	Unit Price
1	22 05 000 A	SLIP PULLEY ASSEMBLY (incl. item no's 2 to 4)	1	R3 150.60
2	22 05 017 X	STRAP	1	R321.00
3	22 05 016 D	LOCK PLATE	1	R66.90
4	FSCSK 0610 ZP	CAPSCREW Countersunk M6 x 10 Zinc Plated	2	R3.00

COUPLING RETAINER ASSEMBLY

Part Number: 35 23 200 A

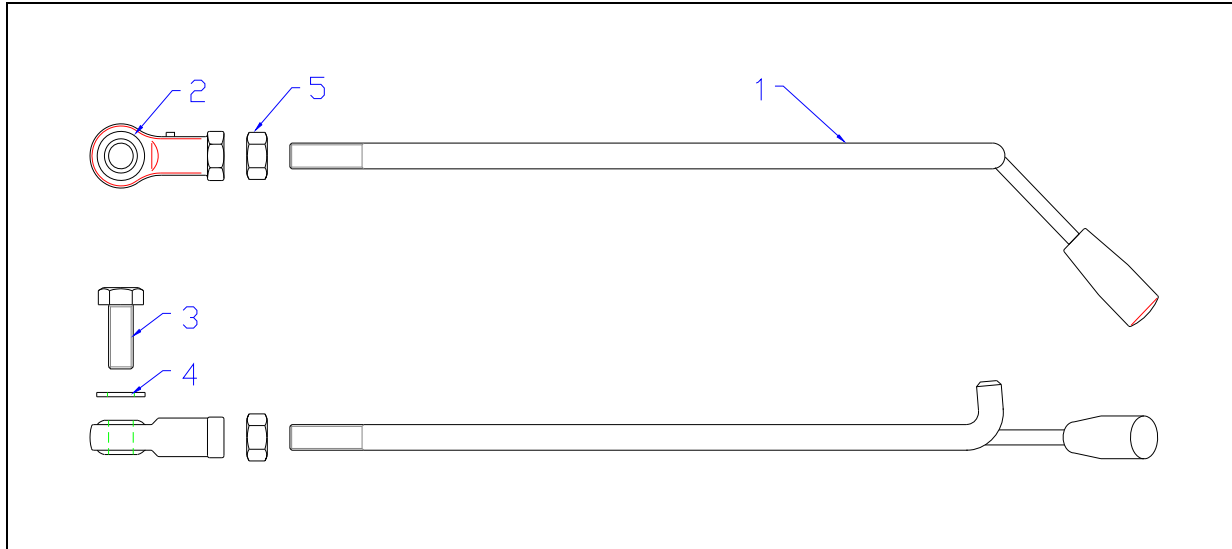


No.	Part No.	Part	Qty	Unit Price
	35 23 200 A	COUPLING RETAINING ASSEMBLY (complete as shown)	1	R627.15
1	* NSS	COUPLING RETAINER WELDMENT	1	-
2	FS 0616 AB	SCREW ALLEN CAP M6 x16 (BLACK)	2	* NSS
3	FW 08	WASHER M8	2	* NSS
4	FSCSK 0812 AB	SCREW CSK CAP SCREW M8 x12 (BLACK)	2	* NSS

* Not Sold Separately

ANTI LOWERING HOOK ASSEMBLY

Part Number: 35 90 120 A



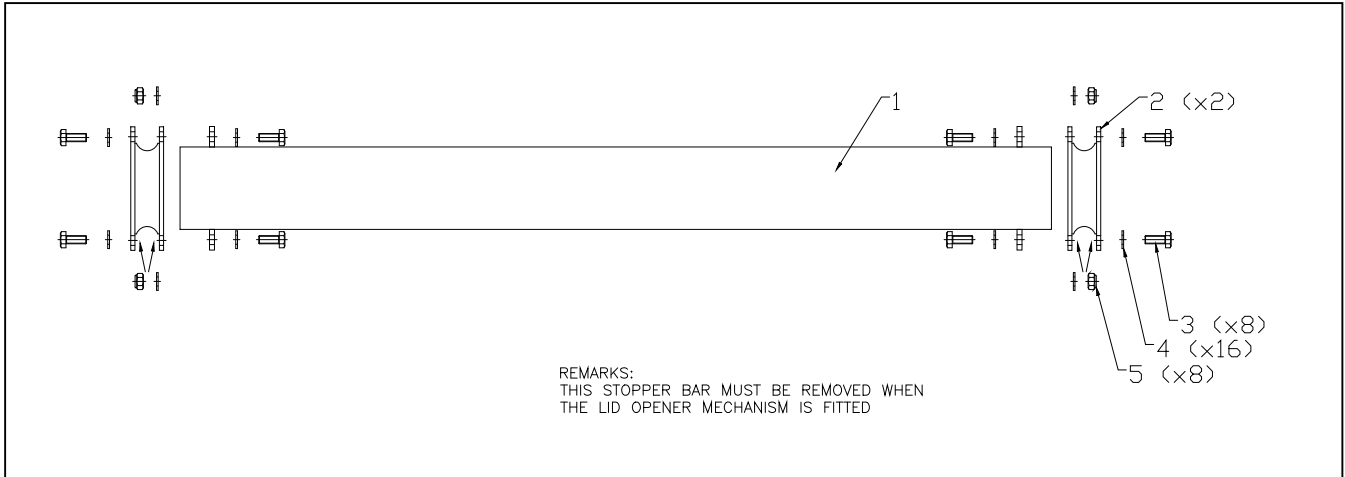
No.	Part No.	Part	Qty	Unit Price
	35 90 120 A	ANTI LOWERING HOOK ASSEMBLY (complete)	1	R 704.05
1	35 90 120 W	HOOK WELDMENT	1	R 254.80
2	BPHS12R	ROD END	1	R 336.00
3	FS 12x30 H8 ZP	SCREW M12 x 30mm	1	* NSS
4	FW 12	WASHER M12	1	* NSS
5	35 90 124 D	BLOCK (THREADED) NOT SHOWN	1	* NSS

* Not Sold Separate

STOPPER BAR ASSEMBLY

Part Number: 35 92 100 A

USED ON Model ML325R ONLY



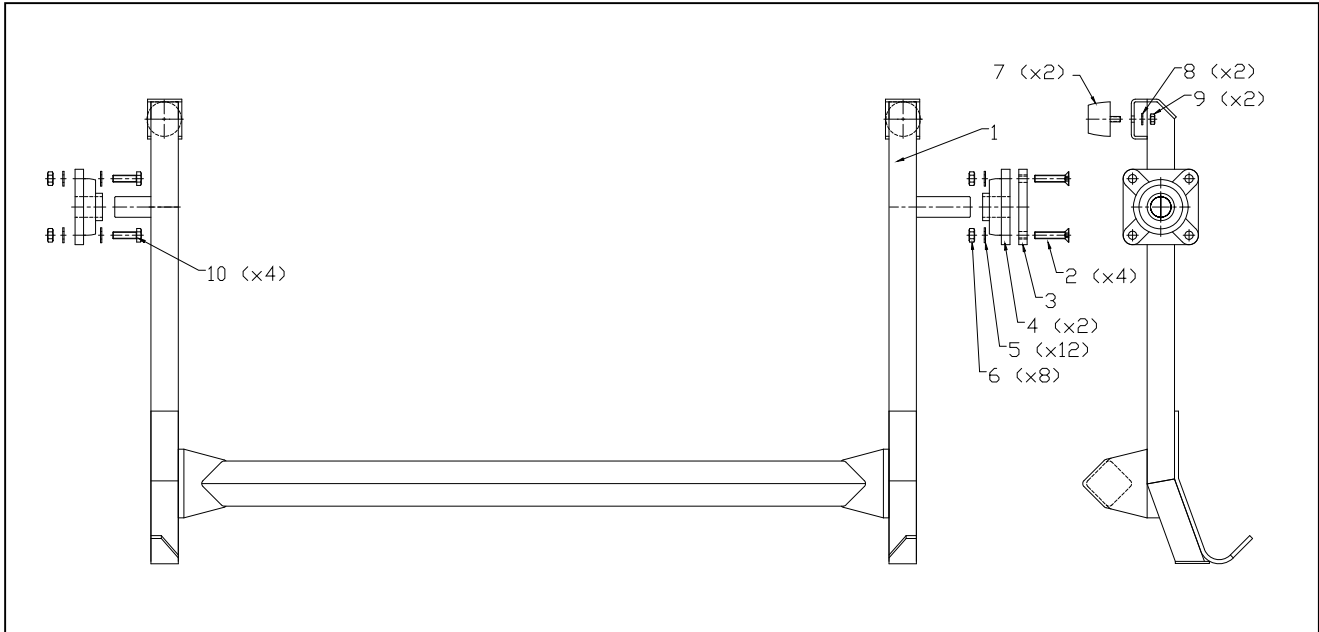
No.	Part No.	Part	Qty	Unit Price
	35 92 100 A	STOPPER BAR ASSEMBLY (complete)	1	R2 341.40
1	* NSS	STOPPER BAR WELDMENT	1	-
2	35 92 110 R	RUBBER	2	R 605.00
3	FS1025H8ZP	SCREW M10x25	8	* NSS
4	FW 10	WASHER M10	16	* NSS
5	FN10 NL	NUT NYLOC M10	8	* NSS

* Not Sold Separately

LID OPENER ASSEMBLY

Part Number: 35 93 001 A

USED ON Model ML325RK ONLY

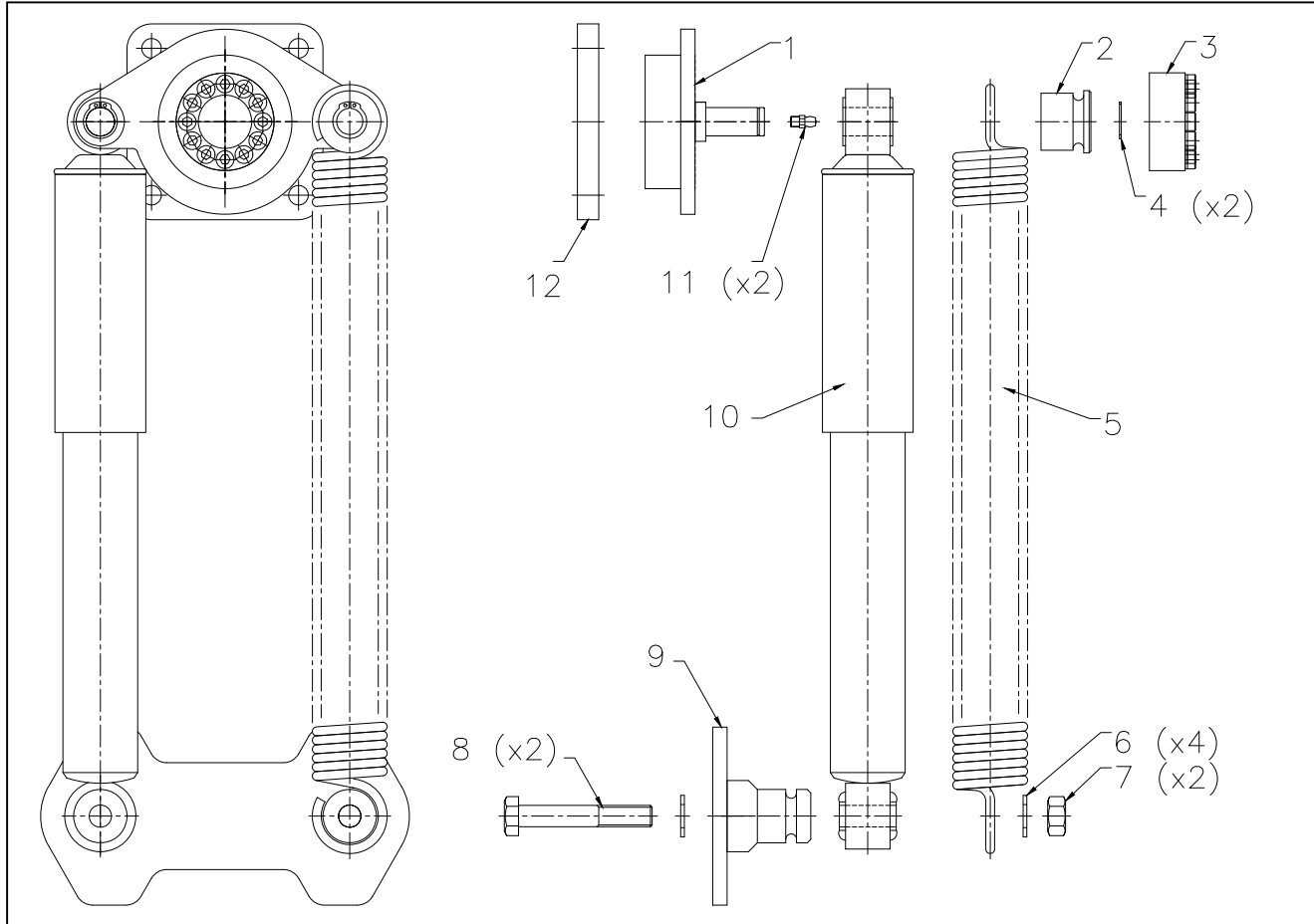


No.	Part No.	Part	Qty	Unit Price
	35 93 001 A	LID OPENER FRAME ASSY – Complete as shown Excluded is its Control Mechanism – See next page	1	R4 480.00
1	35 93 100 W	LID OPENER FRAME WELDMENT	1	R3 813.05
2	FSCSK 1050 AB	SCREW CSK CAPSCREW M10 x50	4	* NSS
3	35 93 205 P	BEARING SPACER	1	R51.00
4	BUCF 206	FLANGE MOUNT BEARING	2	R176.85
5	FW 10	WASHER M10	12	* NSS
6	FN 10 ZP	NUT M10	8	* NSS
7	05 10 232 K	KIT – Rubber buffer	2	R145.00
10	FS 1035 H8ZP	SCREW M10 x35	4	* NSS

* Not Sold Separately

Lid Opener CONTROL MECHANISM

Part Number: 35 93 200 A
USED ON Model ML325K ONLY



No.	Part No.	Part	Qty	Unit Price
	35 93 200 A	LID OPENER CONTROL MECHANISM -COMPLETE	1	R2 935.00
1	35 93 210 W	BELLCRANK WELDMENT	1	R 670.70
2	06 40 021 T	BUSH	1	R 180.42
3	FCONEX 30	QUANTUM 30 30x55	1	R 452.00
4	FC 16 E	CIRCLIP DIAMETER 16mm EXTERNAL	2	R 10.00
5	04 10 006 E	SPRING - PLATED	1	R 375.00
6	FW 12	WASHER M12	4	* NSS
7	FN 12 NL	NUT NYLOC M12	2	* NSS
8	FB 1275 H8ZP	BOLT M12 x75	2	* NSS
9	35 93 220 W	MOUNTING PLATE WELDMENT	1	R 476.70
10	35 93 230 D	DAMPER	1	R 743.55
11	MGN 06	GREASE NIPPLE M6	2	* NSS
12	35 93 205 P	BEARING SPACER	1	R 51.00

* Not Sold Separately

BIN OPENER PULL BACK KIT

Part Number: To be advised

Required for 1100litre bins with flat lids on a comb pick up. For these the sprung lid opener must be pulled back, hence this kit.

Consists of a handle, cable and bracketing

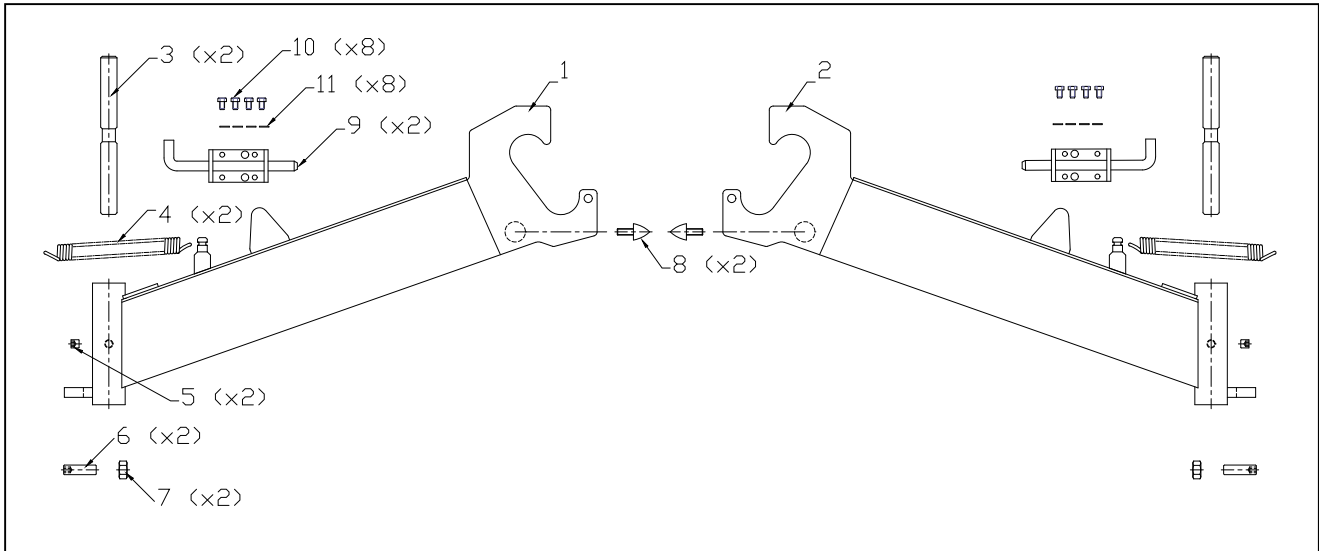
No diagram yet - details available from
Mechlift

No.	Part No.	Part	Qty	Unit Price
1	35 93 140 W	HANDLE	1	*POA
2	35 90 103 X	Wire Rope 4mm Stainless Steel	1	*POA
3	35 90 104 X	Cable clamps 4mm	2	*POA
4	35 90 106 X	Thimble 5mm Stainless steel	2	*POA
5	35 90 107 X	Shackle 8mm Galv 'D	2	*POA

*Price on application

KLAPARM KIT

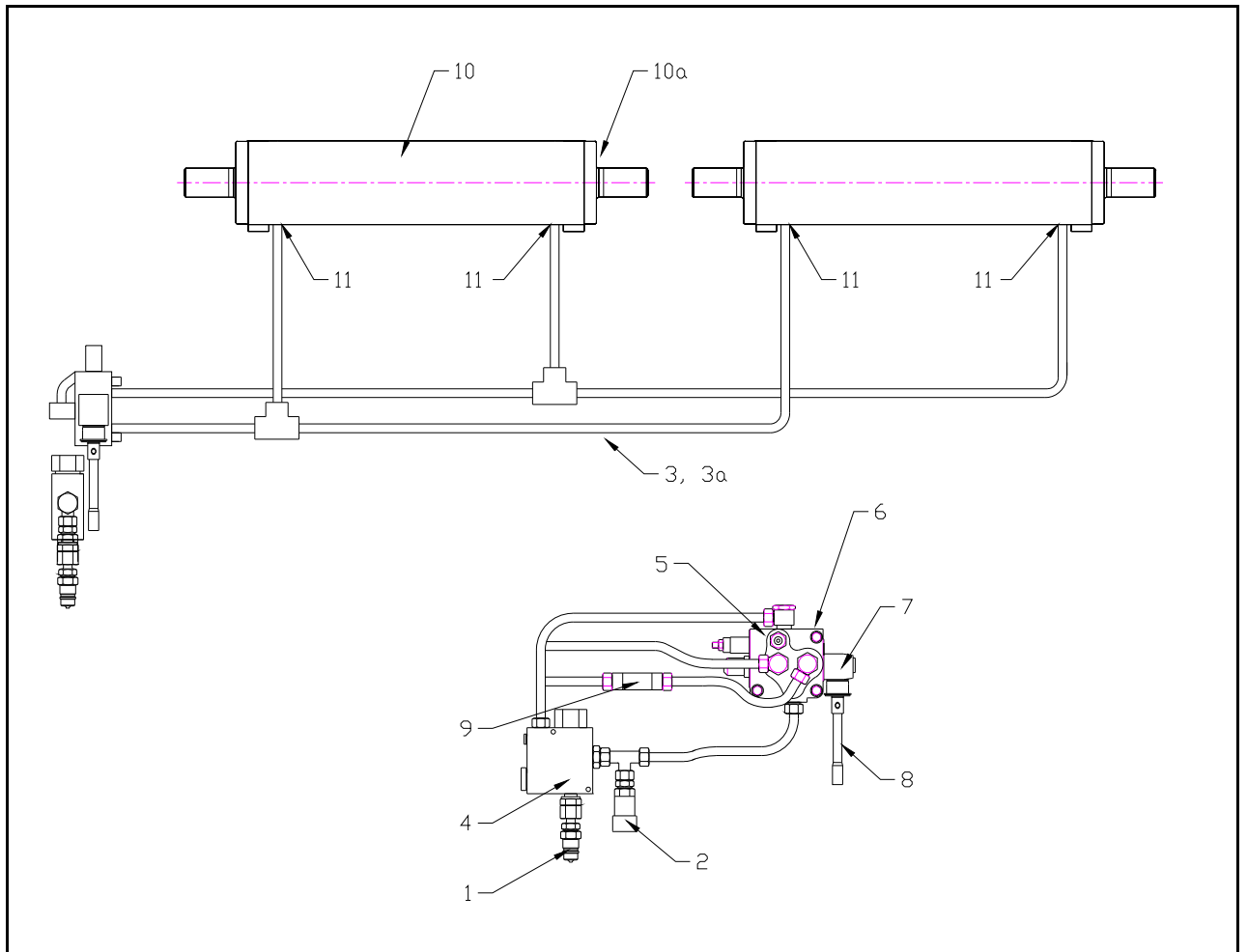
Part Number: 35 90 003 A



No.	Part No.	Part	Qty	Unit Price
	35 90 003 A	KLAPARM KIT Complete excl Sliding Bolts	1	R7 785.00
1	35 53 101 W	BIN CARRIER ARM - LH	1	R3 000.00
2	35 53 102 W	BIN CARRIER ARM - RH	1	R3 000.00
3	31 53 010 T	KLAPARM HINGE PIN	2	R345
4	04 10 003 E	SPRING - KLAPARMS	2	R130.00
5	FSG 1012 ZP	SCREW GRUB M10 x 12	2	* NSS
6	FSG 1240 ZP	SCREW GRUB M12 x 40	2	* NSS
7	FN 12 ZP	NUT M12	2	* NSS
8	MCR 205	RUBBER BUFFER RPM 205	2	R72.00
9	MSB164	SLIDING BOLT – Spring loaded	2	R111.00
10	FS 0610 ZP	SCREW M6 x 10	8	* NSS
11	FW 06	WASHER Ø6	8	*NSS

* Not Sold Separately

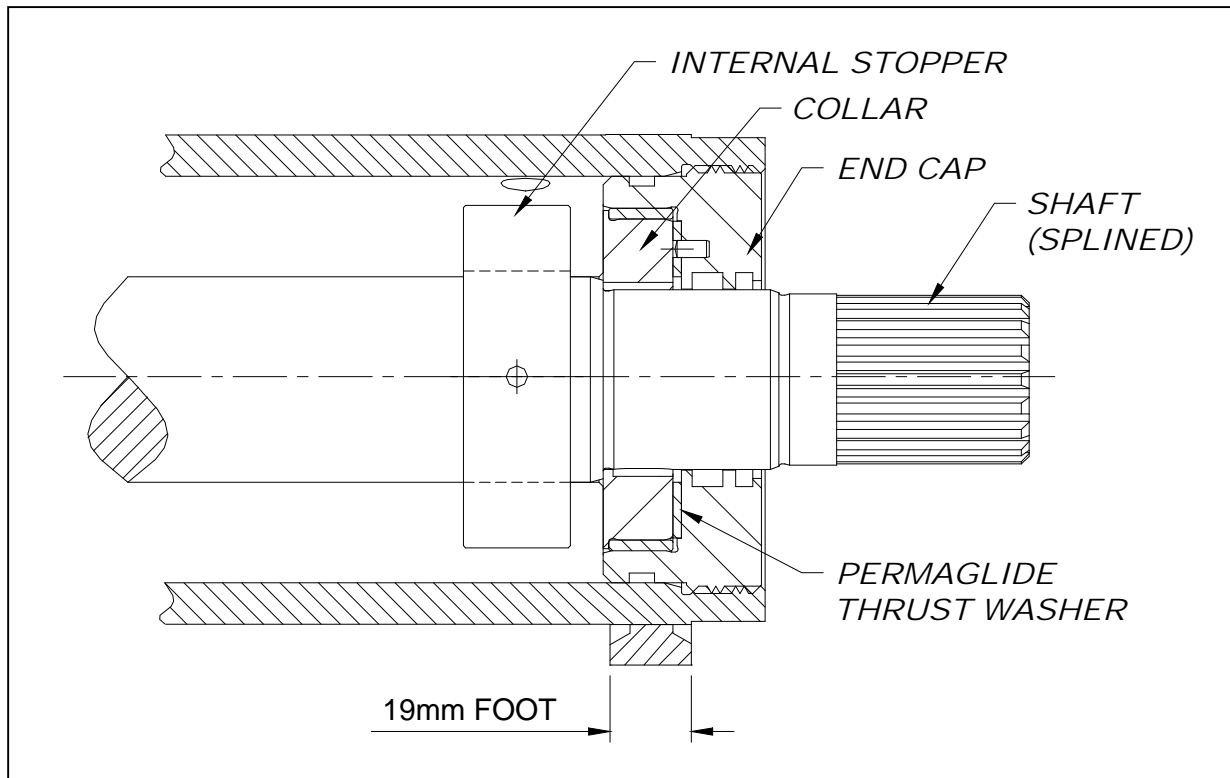
HYDRAULIC SYSTEM



HYDRAULIC SYSTEM Continued

No.	Part No.	Part	Qty	Unit Price
1	HCM12 5.ISO	MALE QUICK COUPLER ½ “	1	R96.70
2	HCF12 5.ISO	FEMALE QUICK COUPLER ½ “	1	R205.85
3	35 10 001 E	HYDRAULIC PIPE SET	1	R761.75
3a	35 10 001 SP	INDIVIDUAL PIPE (NON PLATED)	1	R175.00
4	HV.FLO.REG 50	FLOW REGULATOR	1	R2 440.00
5	HMINI3.8	MINITEST COUPLING – 3/8” BSP -ED	1	R241.00
6	HV.VCD20.LH	CONTROL VALVE LH (Includes Lever Box but excludes Fittings & Handle)	1	R2 576.00
7	HV.VCD.BOX	LEVER BOX ASSEMBLY	1	R252.00
8	01 40 010 R	VALVE HANDLE	1	R140.00
9	HV.FLO.REST.35	FLOW RESTRICTOR (Drilled 3.5mm)	1	R222.00
10	08 10 140 X	S2241 ACTUATOR	2	R35 717.20
10a		SEAL KIT – S2241	1	See next page
11	03 70 001 E	SPECIAL FITTING – Actuator Port	4	R139.40

ACTUATOR SERVICE PARTS



Part No.	Part	Qty	Unit Price
08 10 140 X	ACTUATOR Model S2241	1	R35 717.20
A SKH22 000	SEAL & BRG KIT – For full overhaul (Genuine OEM) (includes stopper , thrust washers and seals)	1	R5 361.45
A SKH22 300	SEAL KIT – End cap side only (Genuine OEM) (includes wiper, seal, o’ring, backup ring)	2	R862.40
06 10 241 T	ACTUATOR INTERNAL STOPPER (use only genuine OEM part)	1	R411.75
BPAW 62 P10	THRUST WASHER	2	R409.60
--	SHAFT – EURO S2241 (ex works only)	1	POA
--	COLLAR (only sold as part of End Cap below)	2	--
08 10 144 X EC	END CAP Complete with collar, seals, thrust washer	2	R4 445.00

NB

Observe internal timing marks ***BEFORE*** pulling piston and shaft from barrel

Contact information:

Please feel free to contact us should you have any queries or need any further information:

Telephone:	+27 (0) 21 386 0404
Fax:	+27 (0) 21 385 1886
E-mail:	info@mechlif.com
Web address:	www.mechlift.com
Physical Address:	84 Mobile Road Airport Industria Cape Town 7490 South Africa
Postal Address:	84 Mobile Road Airport Industria Cape Town 7490 South Africa

Please Note:

This spare parts book is valid for the period: **1st January 2011 till 31st December 2011.**

The given price reflects the price for each unit, part or kit, some assemblies may require more than one of the same unit, part or kit. Mechlif (Pty) Ltd reserves the right to change prices and /or part numbers without notification.

Copyright ©

This publication, or parts thereof, may not be reproduced in any form, by any method, for any purpose, without prior written permission from Mechlif (Pty) Ltd.

Liability

Whilst every attempt has been made to assure the accuracy of this manual, Mechlif (Pty) Ltd cannot accept responsibility for any errors, which may occur.
All information given is subject to change without notice.



