

# **MECHlift ML 150 Bin Lifter** with splined actuator shafts



## **Spare Parts Catalogue**

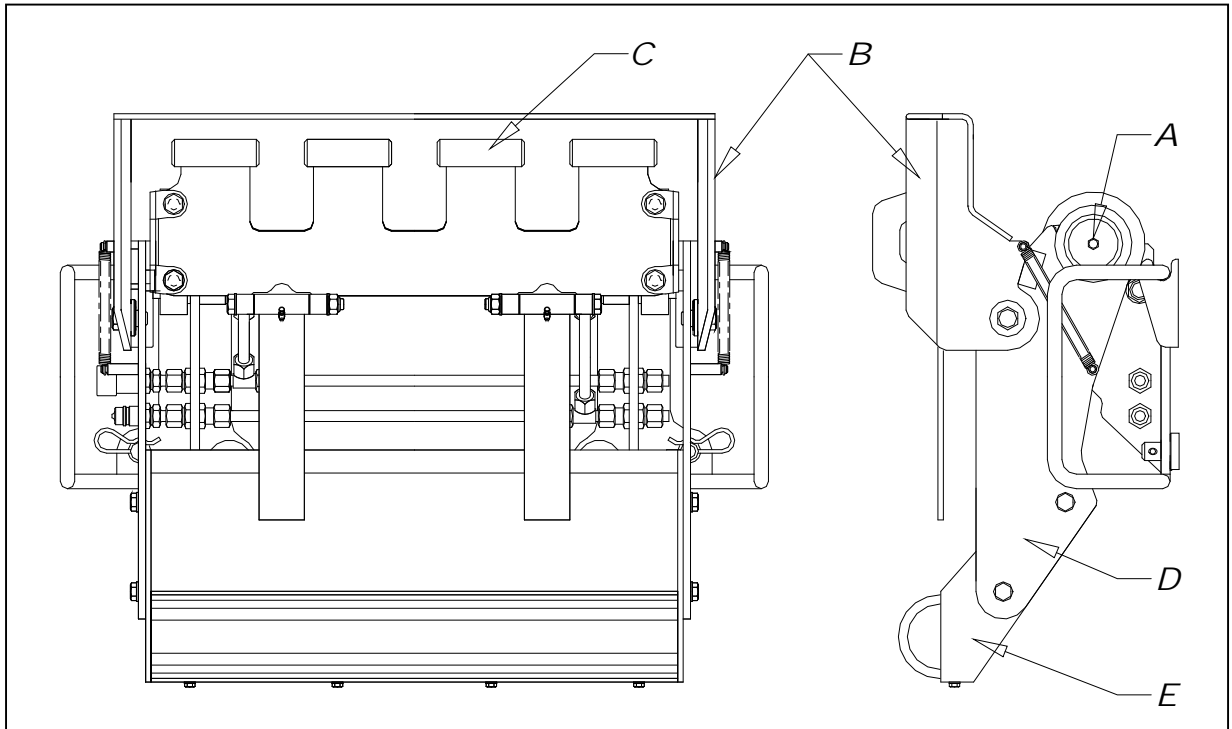
- Prices effective 1st January 2011 -





# ML 150 BIN LIFTER ASSEMBLY

*Rough guide to component identification*



Ref	PART	Page
A	Actuator & Carrier Assembly <i>incl.</i> Actuator Service Parts	4, 5, 6
B	Lip Catch Assembly ( known to some as a Lid )	7
C	Comb Plate & Fulcrum Arm Assemblies	8, 10, 11
D	Swing Arm Assemblies LH & RH	12, 13
E	Cross Member Box Assembly ( known to some as a Push Box )	14

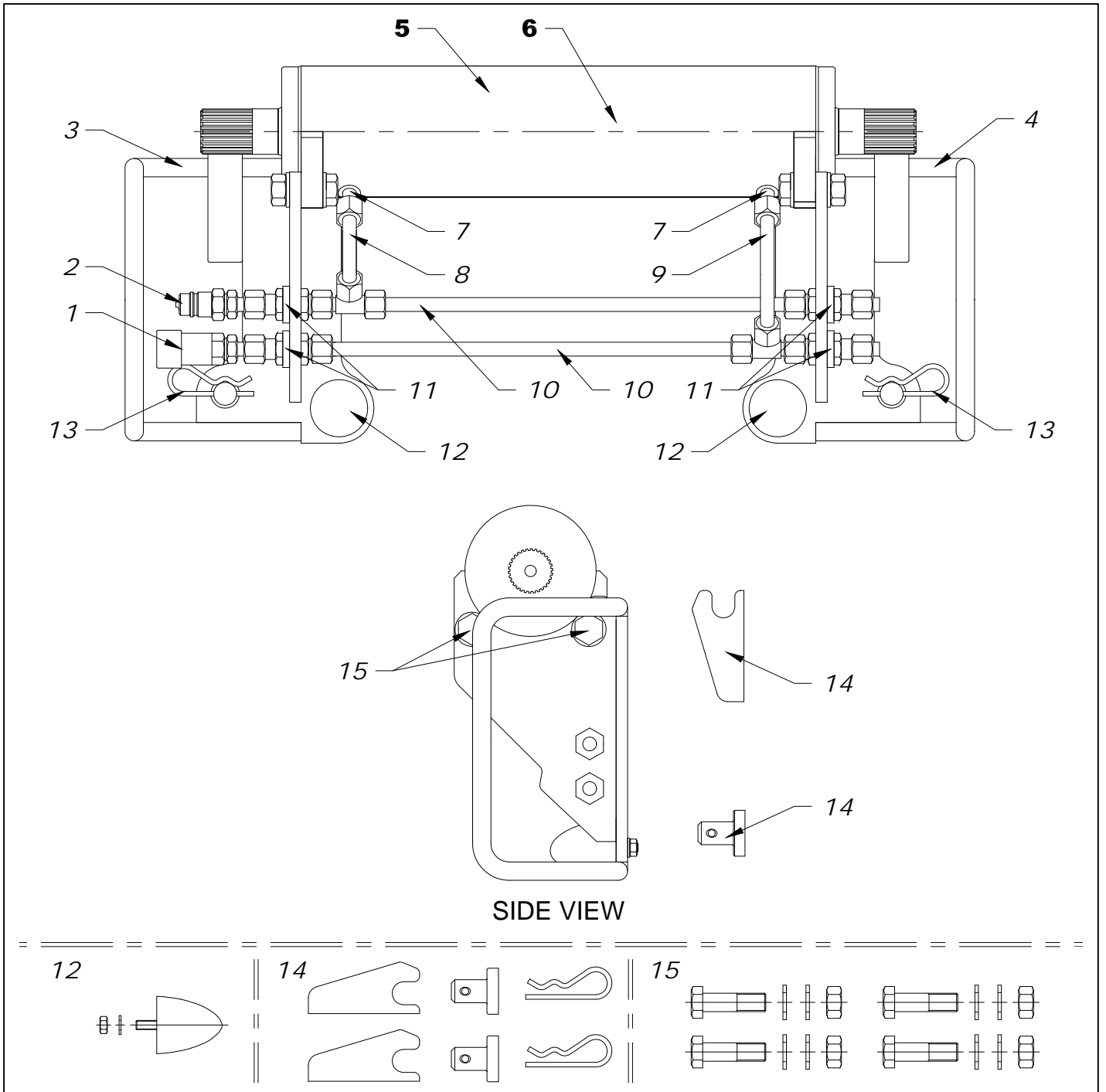


Where to contact Mechlif? See page 15

## Partsmen:

- **Always** quote the Mechlif part numbers when ordering parts
- Part numbers ending in 1 or 3 usually refer to Left Hand Side parts
- Part numbers ending in 2 or 4 usually refer to Right Hand Side parts
- If in doubt, please feel free to contact Mechlif, we are always willing to assist

# ACTUATOR & CARRIER



## Actuator and Carrier (cont.):

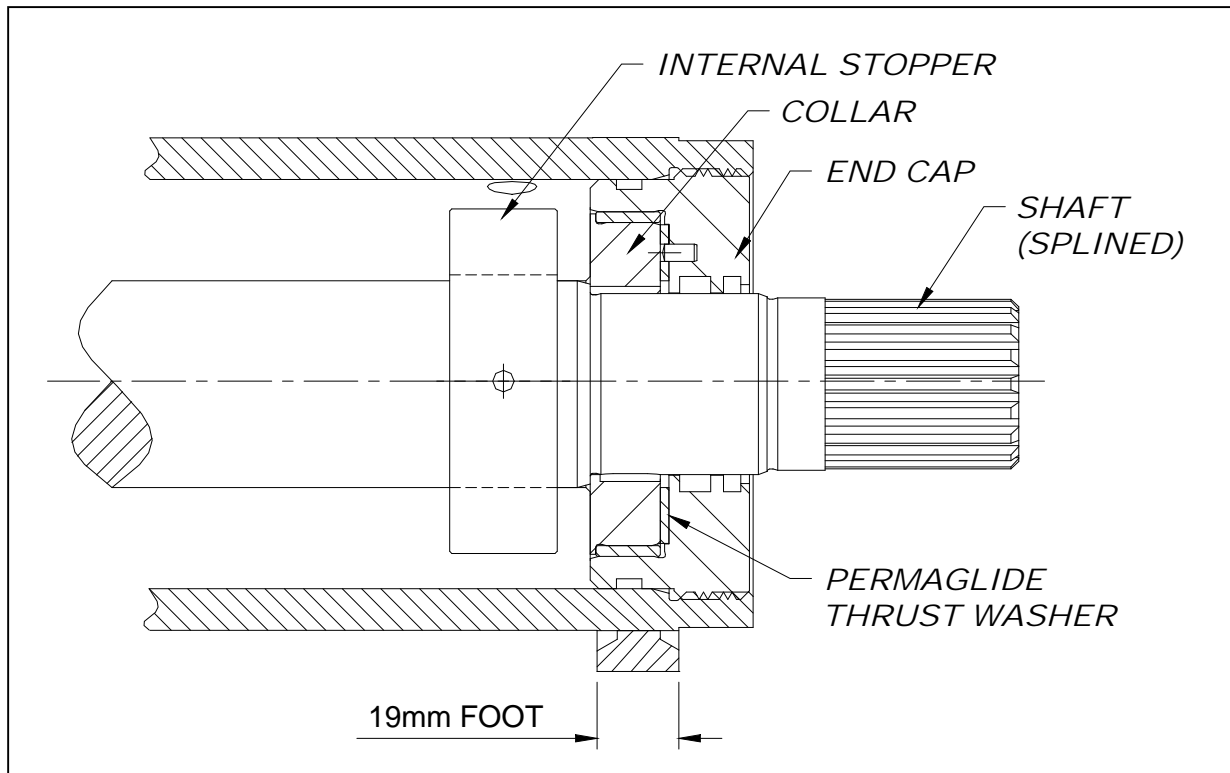
No.	PART No.	PART	Qty	Unit Price
1	HCF12,5.ISO	QUICK COUPLER 1/2 FEMALE PIN TYPE	1	R 205.85
2	HCM12,5.ISO	QUICK COUPLER 1/2 MALE PIN TYPE	1	R 96.70
3	15 11 101 W	ACTUATOR SUPPORT BRACKET - LH	1	R 967.20
4	15 11 102 W	ACTUATOR SUPPORT BRACKET – RH (*)	1	R1 050.40
5	08 10 117 X	S2560 ACTUATOR WITH SPLINES	1	R24 192.00
6	Actuator Parts	ACTUATOR SERVICE PARTS	1	see page 6
7	03 70 001 E	SPECIAL FITTING – ACTUATOR PORT	2	R 139.40
8	15 10 002 E	PIPE – 'L' SHAPE ASSEMBLY	1	R 152.90
9	15 10 001 E	PIPE – 'S' SHAPE ASSEMBLY	1	R 149.20
10	15 10 003 E	PIPE – STRAIGHT ASSEMBLY (same top and bottom)	2	R 140.75
11	03 10 201 E	PIPE FITTING SPACER	4	R 33.55
12	05 10 119 K	CONICAL BUMP RUBBER KIT	2	R 145.00
13	MS12	GRIP CLIP S12	2	R 11.90
14	07 91 100 K	WELD ON ATTACHMENT KIT (hooks, stubs & grip clips)	1	R 380.20
15	07 90 106 K	KIT – ACTUATOR FASTNERS	1	R 98.60

(\*) includes bracketing for LiftLogger

**LiftLogger unit is available for the ML150**

**Contact details on Page 15**

# ACTUATOR SERVICE PARTS



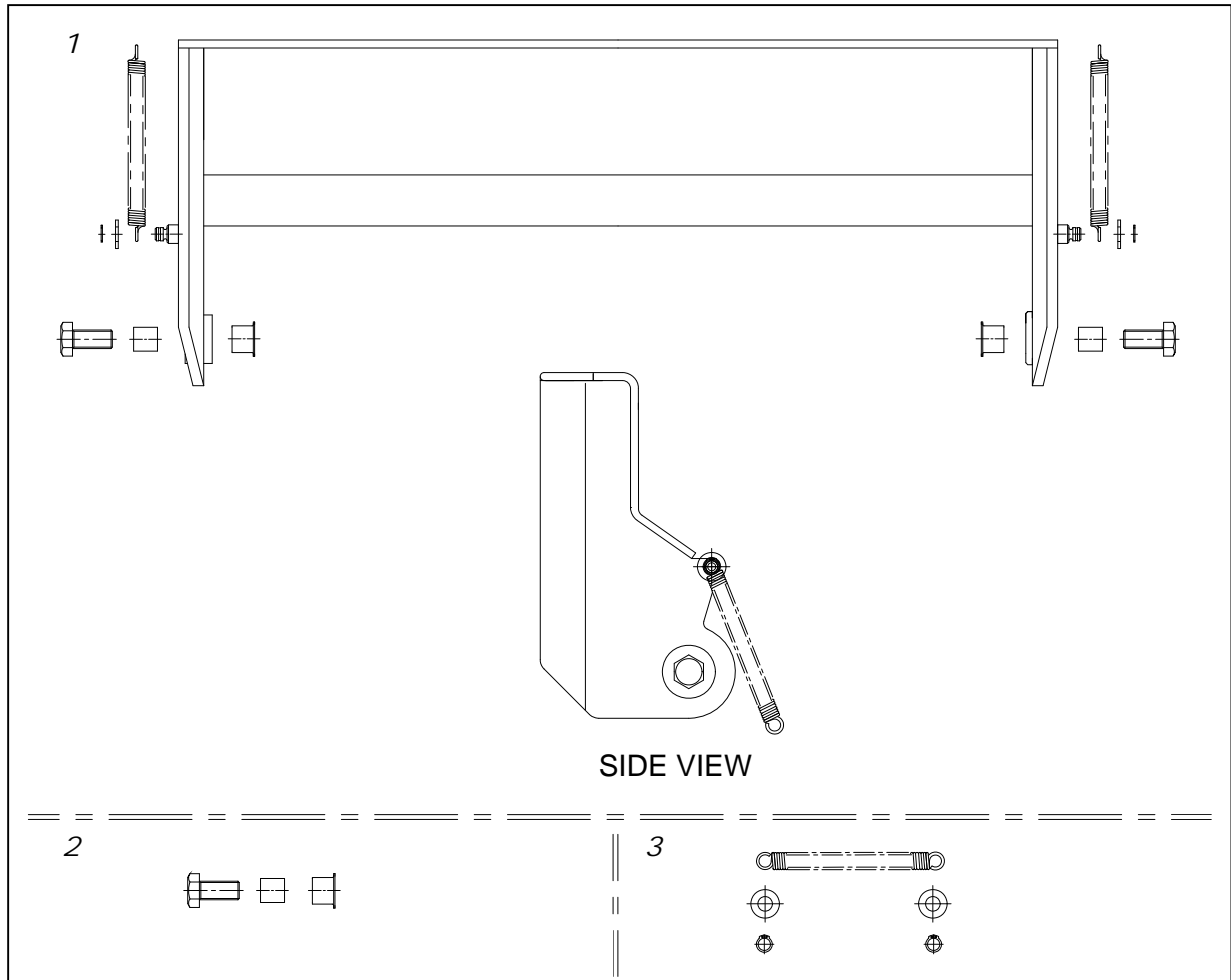
Part No.	Part	Qty	Unit Price
08 10 117 X	S2560 ACTUATOR ( Splined ) – COMPLETE UNIT	1	R24 192.00
A SKH25 000	SEAL & BRG KIT – For full overhaul (Genuine OEM) (includes stopper , thrust washers and seals)	1	R3 479.75
A SKH25 300	SEAL KIT – End cap side only (Genuine OEM) (includes wiper, seal, o’ring, backup ring)	2	R 644.10
06 10 116 T	ACTUATOR INTERNAL STOPPER <b>(use only genuine part)</b>	1	R 320.00
BPAW 48 P10	THRUST WASHER	2	R 255.00
08 10 117 X SFT	SHAFT – EURO S2560 ( Splined )	1	R7 250.00
08 10 117 X CO	COLLAR	2	R1 035.00
08 10 117 X EC	END CAP (without seals)	2	R1 090.00

## **NB**

Observe internal timing marks **BEFORE** pulling piston and shaft from barrel

# LIP CATCH FRAME ASSEMBLY

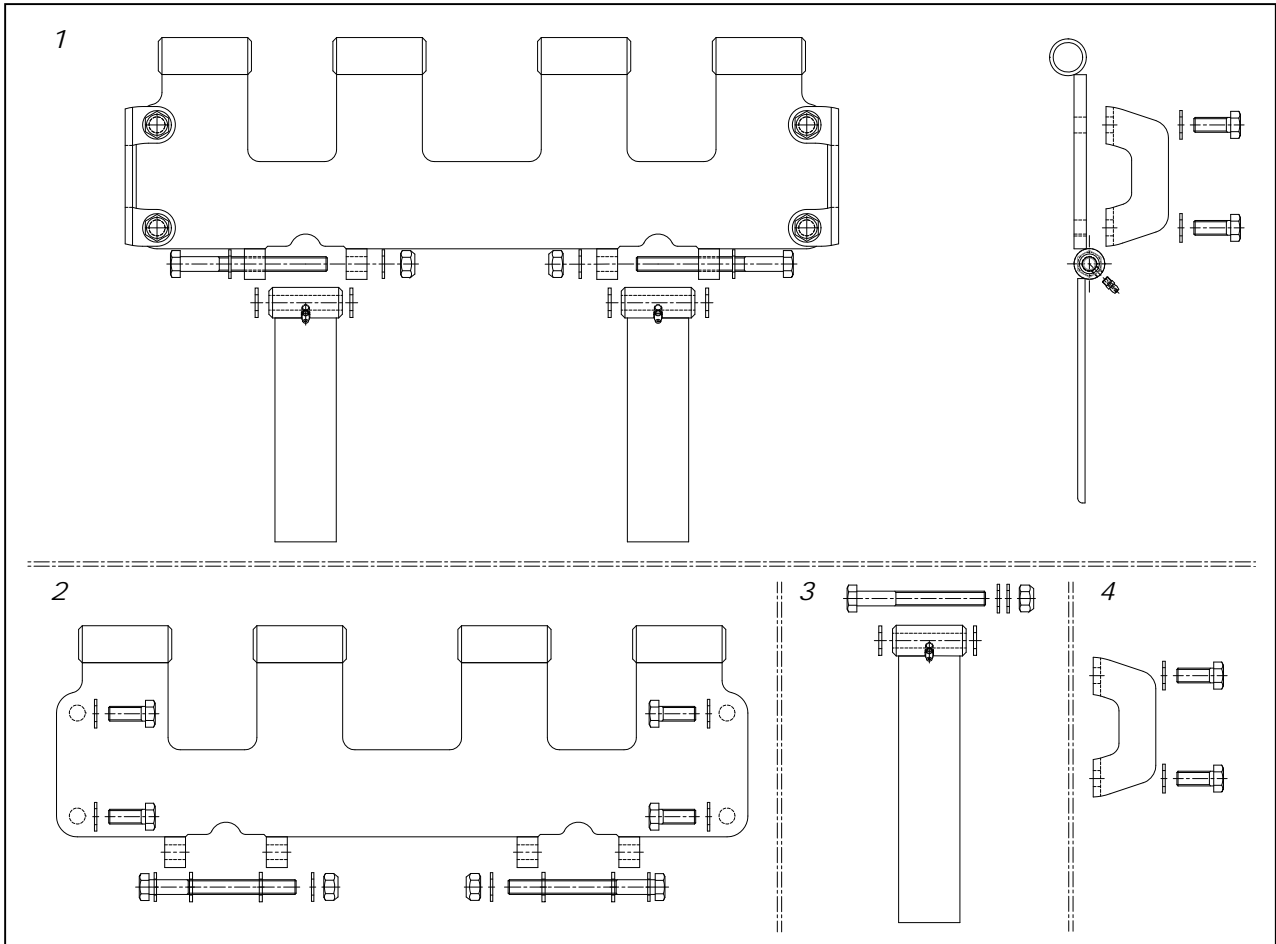
Part Number: 15 30 000 A



Block	Part No.	Part	Qty	Unit Price
1	15 30 000 A	LIP CATCH FRAME ASSEMBLY (includes blocks 2 & 3)	1	R1 981.55
2	07 91 101 K	BUSH KIT – Lip Catch Frame to Swing Arm	2	R 170.65
3	07 91 102 K	SPRING KIT – Lip Catch Frame	2	R 65.30

# COMB PLATE ASSEMBLY

Part Number: 15 50 000 A



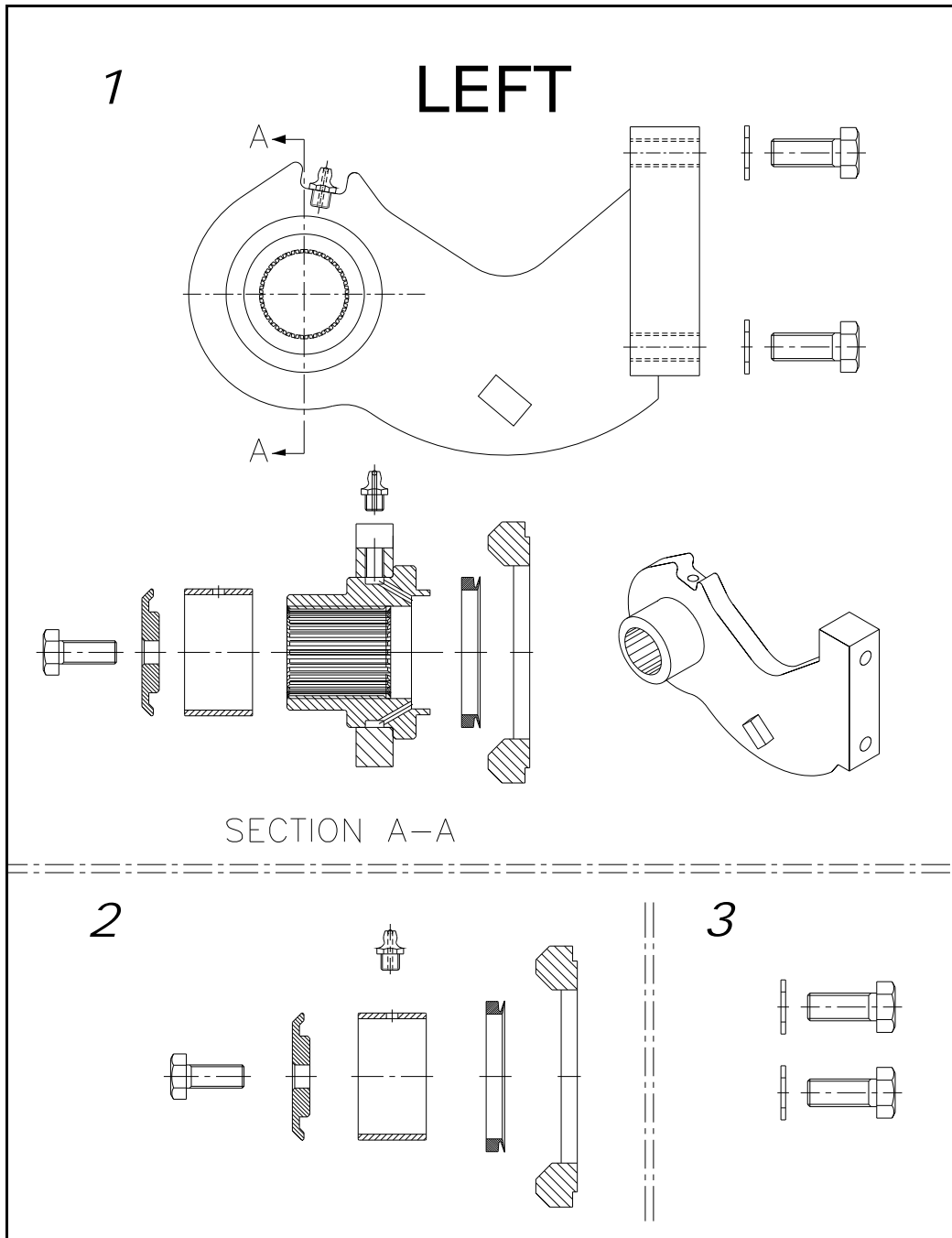
Block	Part No.	Part	Qty	Unit Price
1	15 50 000 A	COMB PLATE ASSEMBLY (Includes blocks 2, 3 & 4)	1	R1 856.15
2	15 52 100 K	COMB PLATE KIT	2	R1 272.30
3	15 53 100 K	OVERTIP FLAP KIT	2	R 215.35
4	15 50 020 K	PLATE – Lid Comb Interlock Kit	2	R 93.60

**Make your notes below**



# FULCRUM ARM ASSEMBLY - LH

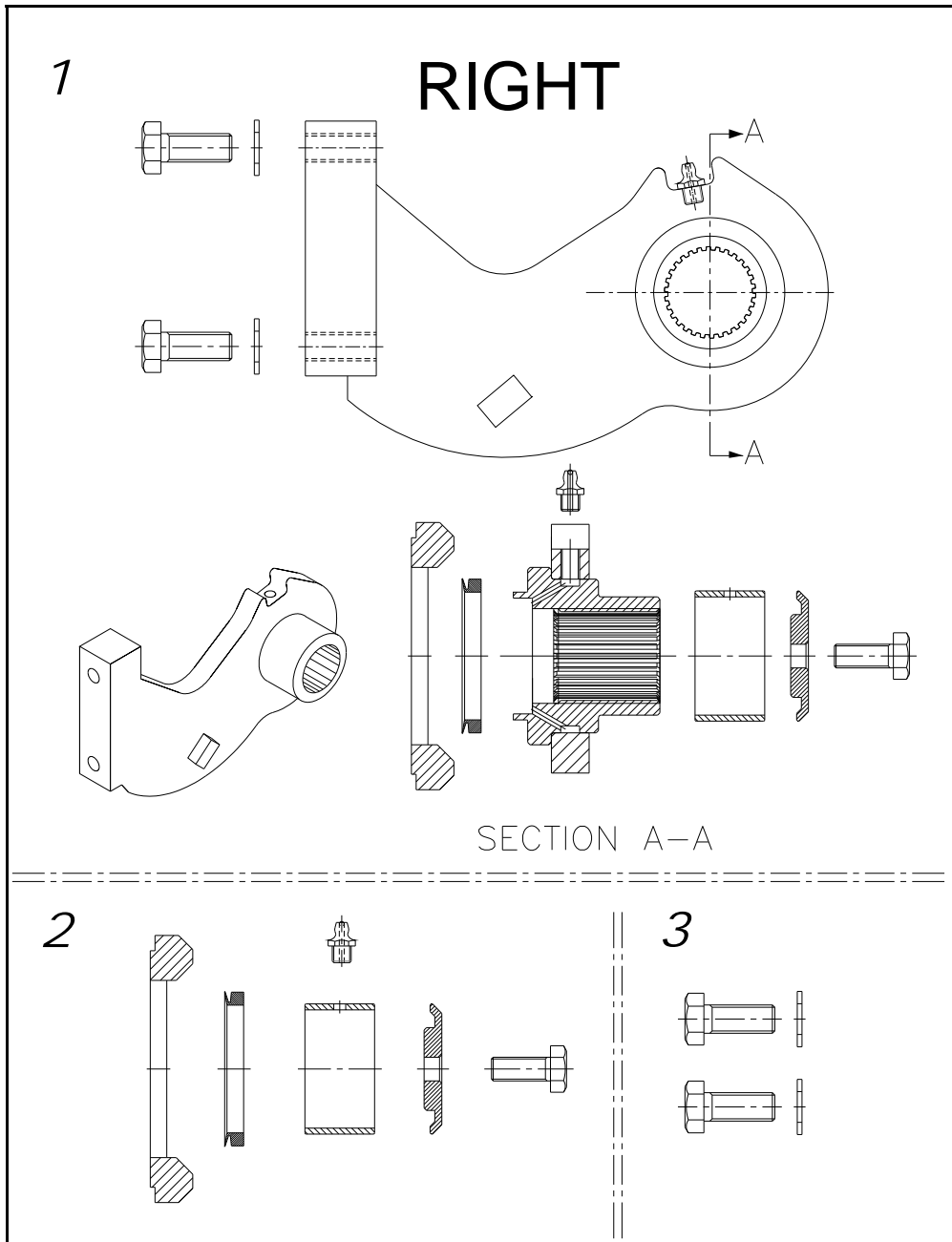
Part Number: 15 55 103 A



Block	Part No.	Part	Qty	Unit Price
1	15 55 103 A	FULCRUM ARM ASSEMBLY – LH (incl. 2 & 3)	1	R2 135.90
2	07 91 103 K	FULCRUM ARM SERVICE KIT	1	R 518.50
3	07 91 104 K	BOLT KIT - FULCRUM ARM TO COMB PLATE	1	R 19.60

# FULCRUM ARM ASSEMBLY - RH

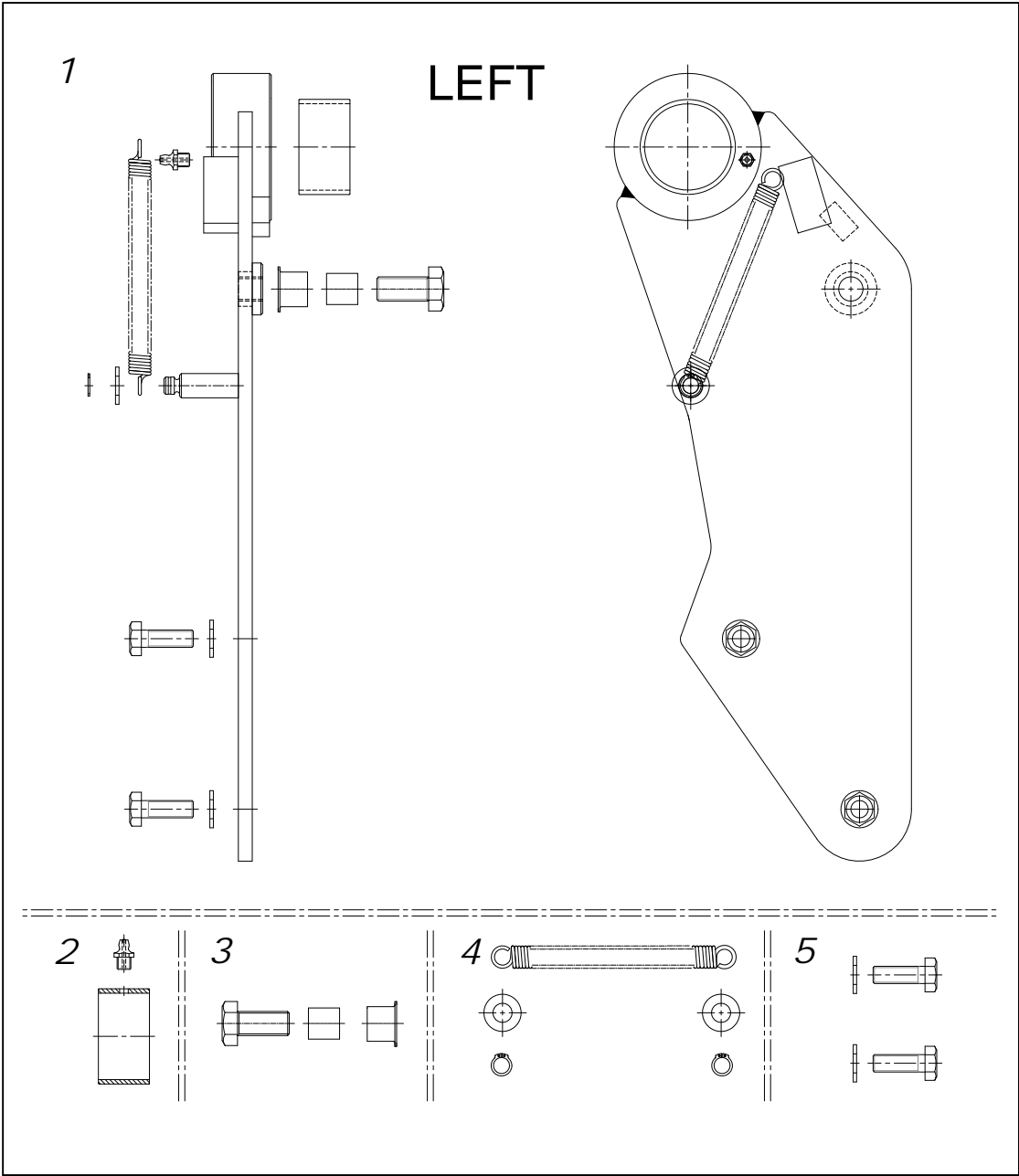
Part Number: 15 55 104 A



Block	Part No.	Part	Qty	Unit Price
1	15 55 104 A	FULCRUM ARM ASSEMBLY – RH (incl. 2 & 3)	1	R2 135.90
2	07 91 103 K	FULCRUM ARM SERVICE KIT	1	R 518.50
3	07 91 104 K	BOLT KIT - FULCRUM ARM TO COMB PLATE	1	R 19.60

# SWING ARM ASSEMBLY - LH

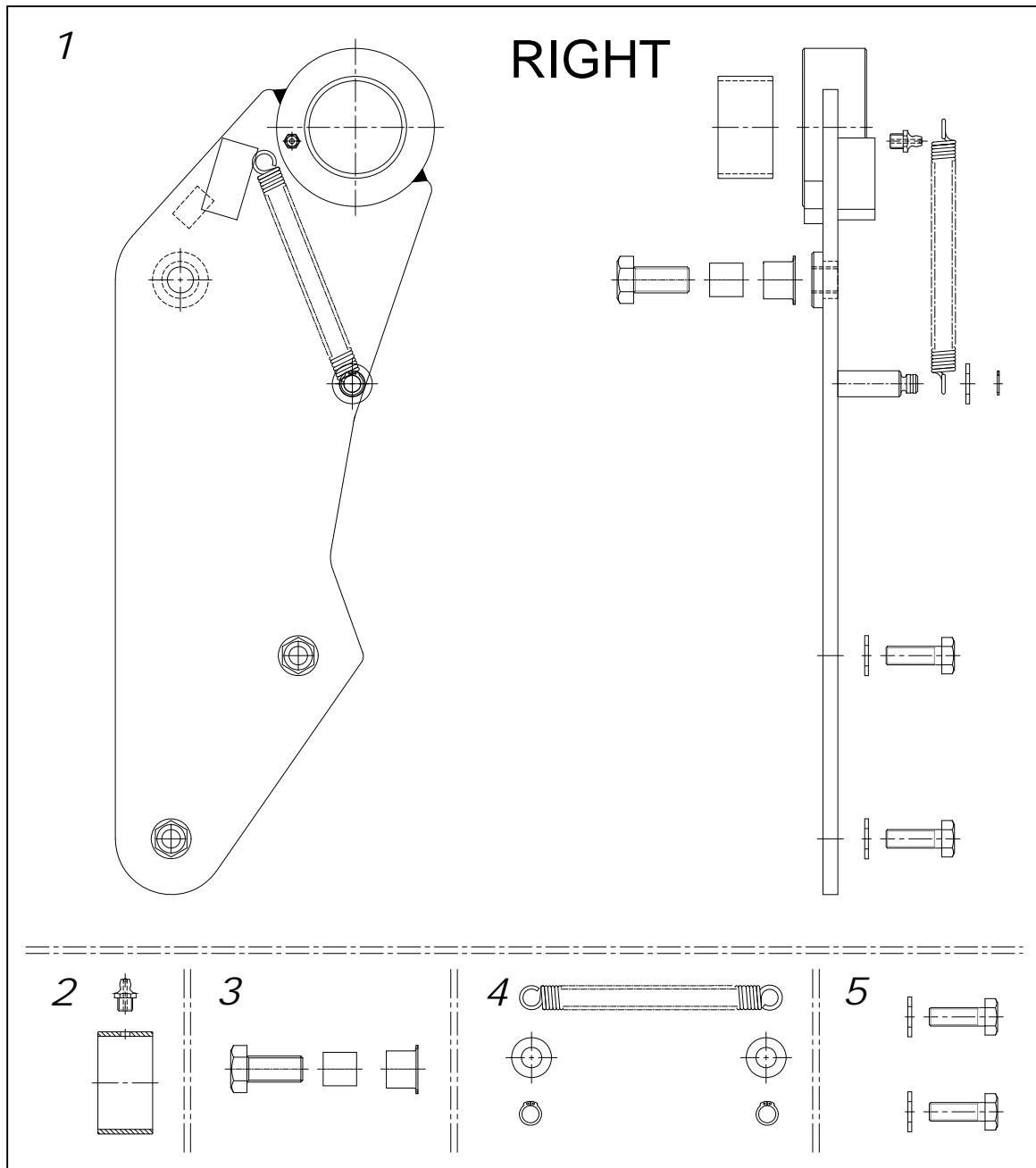
Part Number: 15 75 101 A



Block	Part No.	Part	Qty	Unit Price
1	15 75 101 A	SWING ARM LH ASSEMBLY (Includes blocks 2, 3, 4 & 5)	1	R1,675.85
2	07 91 105 K	SERVICE KIT – Swing Arm	1	R 274.05
3	07 91 101 K	BUSH KIT – Lip Catch Frame to Swing Frame	1	R 170.65
4	07 91 102 K	SPRING KIT – Lip Catch Frame	1	R 65.30
5	07 91 106 K	BOLT KIT – Swing Arm to Cross Member Box	1	R 12.80

# SWING ARM ASSEMBLY - RH

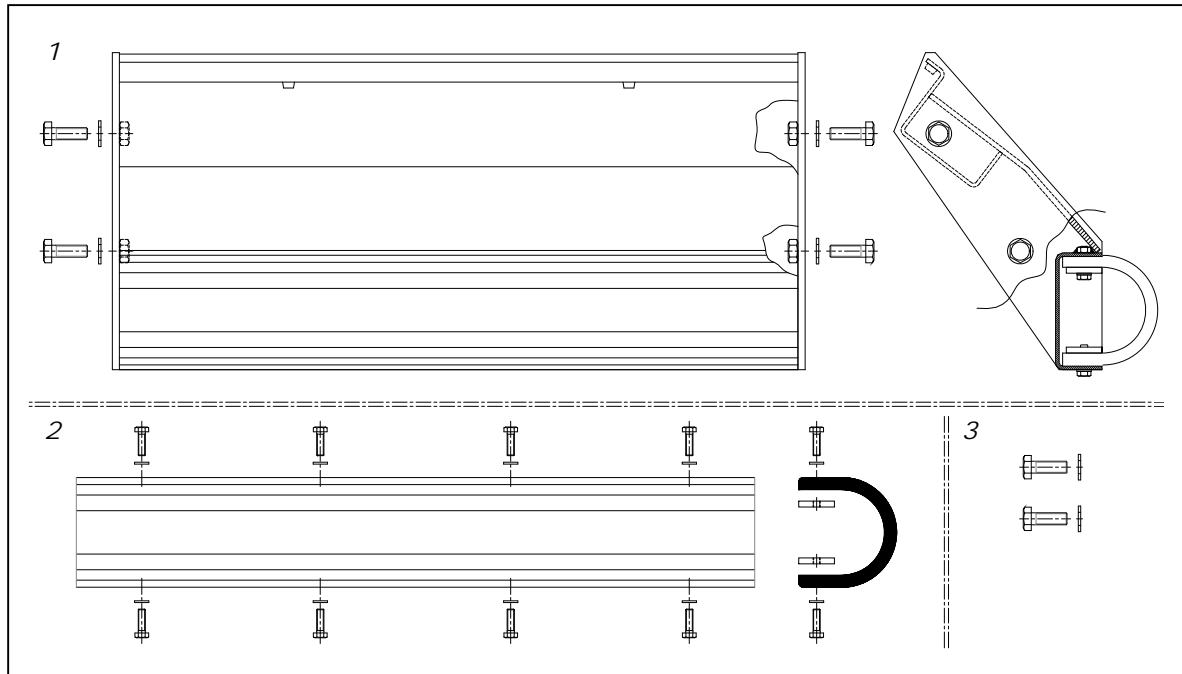
Part Number: 15 75 102 A



Block	Part No.	Part	Qty	Unit Price
1	15 75 102 A	SWING ARM RH ASSEMBLY ( LiftLogger ready) (Includes blocks 2, 3, 4 & 5)	1	R1,683.75
2	07 91 105 K	SERVICE KIT – Swing Arm	1	R 274.05
3	07 91 101 K	BUSH KIT – Lip Catch Frame to Swing Frame	1	R 170.65
4	07 91 102 K	SPRING KIT – Lip Catch Frame	1	R 65.30
5	07 91 106 K	BOLT KIT – Swing Arm to Cross Member Box	1	R 12.80

# CROSS MEMBER BOX

Part Number: 15 76 100 A



Block	Part No.	Part	Qty	Unit Price
1	15 76 100 A	CROSS MEMBER BOX ASSEMBLY (Includes blocks 1, 2, 3)	1	R1,559.80
2	07 91 107 K	RUBBER PUSH PAD KIT – Cross Member Box	1	R 422.45
3	07 91 106 K	BOLT KIT – Cross Member Box	2	R 12.80

# Contact information:

Please feel free to contact us should you have any queries or need any further information:

Telephone:	+27 (0) 21 386 0404
Fax:	+27 (0) 21 385 1886
E-mail:	info@mechlifl.com
Web address:	www.mechlift.com
Physical Address:	84 Mobile Road Airport Industria Cape Town 7490 South Africa
Postal Address:	84 Mobile Road Airport Industria Cape Town 7490 South Africa

**Note:**

This spare parts book is valid for the period: **1<sup>st</sup> January 2011 till 31<sup>st</sup> December 2011**

The given price reflects the price for each unit, part or kit, some assemblies may require more than one of the same unit, part or kit. Mechlifl (Pty) Ltd reserves the right to change prices and /or part numbers without notification.

**Copyright ©**

This publication, or parts thereof, may not be reproduced in any form, by any method, for any purpose, without prior written permission from Mechlifl (Pty) Ltd

**Liability**

Whilst every attempt has been made to assure the accuracy of this manual, Mechlifl (Pty) Ltd cannot accept responsibility for any errors, which may occur. All information given is subject to change without notice

